

Automotive Experience Division

EDI Implementation Guideline

Despatch Advice (DESADV)



Table of Contents

Document Change Log.....	4
Requirement Designations in this Guide	6
Trading Partner Notes	6
AD96AENVDESADV Adient D96A DESADV Envelope Structure	7
Segment: UNA Service String advice.....	9
Segment: UNB Interchange Header.....	10
Segment: UNG Functional Group Header.....	13
Segment: UNE Functional Group Trailer.....	15
Segment: UNZ Interchange Trailer	16
DESADV Despatch Advice Message	17
Introduction.....	17
Branching Diagram	17
Segment/Loop Table.....	21
Segment: UNH Message Header	25
Segment: BGM Beginning of Message.....	27
Segment: DTM Date/Time/Period - Message Creation Date/Time	29
Segment: DTM Date/Time/Period - Ship Date/Time	30
Segment: DTM Date/Time/Period - Estimated Arrival Date/Time.....	31
Segment: MEA Measurements	32
Segment: RFF Reference - Pickup Sheet Number	35
Segment: RFF Reference - Bill-of-Lading Number.....	37
Segment: NAD Name and Address - Consignee (Ship To).....	39
Segment: LOC Place/Location Identification - Consignee (Ship To).....	41
Segment: NAD Name and Address - Seller (Supplier)	44
Segment: NAD Name and Address - Consignor (Ship From).....	47
Segment: TDT Details of Transport.....	51
Segment: EQD Equipment Details	55
Segment: CPS Consignment Packing Sequence	58
Segment: PAC Package	60

Segment: QTY Quantity - Per Pack.....	62
Segment: PCI Package Identification	64
Segment: RFF Reference - Master Label Number.....	66
Segment: GIR Related Identification Numbers.....	67
Segment: LIN Line Item.....	71
Segment: PIA Additional Product Id	73
Segment: QTY Quantity - Cumulative Despatch Quantity	77
Segment: QTY Quantity - Discrete Despatch Quantity	78
Segment: ALI Additional Information - Country of Origin.....	79
Segment: GIN Goods Identity Number - Batch Number.....	80
Segment: RFF Reference - Purchase Order Number.....	83
Segment: UNT Message Trailer	84
Despatch Advice Examples	85

Document Change Log

Version	Date	Description	Author
1.0	2007-01-18	Creation	Hans-Ulrich Berger
1.5	2007-10-02	Revision and change of CI	Marc Tillmann
1.6	2009-09-18	Enhancement	Hans-Ulrich Berger
2.0	2011-06-06	Major revision for Saturn (SAP)	Malte Poppensieker
2.1	2012-10-10	Updated code table and examples	Raghava Bandarupalli
2.2	2012-10-18	Updated DTM+132 segment to mandatory	Frank Van Wittenberghe
2.3	2013-04-15	Updated PIA segment with Engineering Change Level and Commission Number (Heat Number)	Stijn Daerden
2.4	2013-08-30	Added auxiliary packaging	Stijn Daerden
2.5	2014-02-21	Added TDT information with SCAC code for JCI AE NA plants	Stijn Daerden
2.6	2014-06-11	Recreated guideline using EDISIM & Microsoft Word	Laurie Kreimes
2.7	2014-06-24	Modified guide to reflect a max allowed length of 10 characters for a Batch Number – SG10_SG15_GIN_02_01_7402	Laurie Kreimes
2.8	2014-08-27	DTM(132) segment, position 0030 - requirement changed from conditional to mandatory for Estimated Delivery Date	Laurie Kreimes
2.9	2014-10-17	<p>Modified the data example for the UNA segment to be correctly formatted.</p> <p>Modified the branching diagrams and pages with the segment information for SG1 RFF(BM) and SG10_SG15_QTY(3) segments to reflect they are conditional and not mandatory.</p> <p>Added code “4” as an option for the SG10_CPS_03_7075 element.</p> <p>Modified the SG10_SG11_PAC_03_01_7065 “Notes to Trading Partner” to remove “if shipping in a returnable container”.</p> <p>Modified the SG10_SG15_LIN “Notes to Trading Partner” to include a reference to no packaging hierarchy.</p> <p>Modified data examples 1, 2, 3, and 8 to have code “4” in the SG10_CPS_03_7075 element.</p> <p>Corrected note for NAD(CZ) segment to reflect “This segment is only required if the consignor is different than the seller.”</p>	Laurie Kreimes
2.10	2015-02-11	<p>Modified the Trading Partner Notes under the Packaging section. Modifications were made to accommodate the scenario of multiple items in a single handling unit.</p> <p>Added a note to the SG10_CPS segment group pointing to the “Packaging” section of the “Trading Partner Notes” for instruction on when and when not to create SG10 segment groups.</p> <p>Removed the note on the CPS segment page with regard to when to create a CPS segment group since this note was inappropriately placed on the</p>	Laurie Kreimes

		<p>CPS segment page.</p> <p>Added a note to the SG11_PAC segment group pointing to the “Packaging” section of the “Trading Partner Notes” for instruction on when and when not to create SG11 segment groups.</p> <p>Modified the note on the SG11_PAC segment page to reflect “LIN segment(s)” as there can be multiple LIN segments within an SG10_CPS segment group when there are multiple items in a single container.</p> <p>Modified the notes on the SG11_QTY(52) segment page to clarify the quantity to be sent in this segment when multiple materials are sent in a single handling unit.</p> <p>Added a note to the SG13_PCI segment group pointing to the “Packaging” section of the “Trading Partner Notes” for instruction on when to create SG13 segment groups.</p> <p>Added a note to the SG15_LIN segment group pointing to the “Packaging” section of the “Trading Partner Notes” for instruction on when to and when not to create SG15 segment groups.</p> <p>Added Example 9 at the end of the guide to show the ASN layout when sending multiple materials in a single handling unit.</p>	
2.11	2015-03-16	<p>Under the Packaging section of the Trading Partner Notes at the beginning of the guide, removed the bullet point stating: “Auxiliary packaging material such as plastic sheets, lids, etc. <u>must not be</u> transmitted in the Despatch Advice.”</p> <p>Auxiliary packaging information should be included in the ASN is used.</p>	Laurie Kreimes
2.12	2016-10-01	<p>Modified JCI or Johnson Controls references to be Adient. Removed Johnson Controls logo and added Adient logo.</p>	Laurie Kreimes
2.13	2022-03-22	<p>Updated BGM for Despatch Number and GIR for label id should not repeat in 5 years.</p>	Gomichan Paul George
2.14	2026-Mar-05	<p>Despatch Number in BGM_1004 should contain only Numbers or Alphabets. No special characters allowed.</p>	Gomichan Paul George

Requirement Designations in this Guide

- C = Conditional
M = Mandatory

Trading Partner Notes

When to Generate a Despatch Advice:

- A Despatch Advice should be generated at the earliest when the goods are despatched from the supplier and at the latest up to two hours after the goods are despatched.
- The supplier should not send the message earlier than at the time of despatch because once sent the ASN cannot be changed anymore. For that reason the message must only be sent once all data of the transport is fixed, which is at the time of despatch.
- The Despatch Advice must not be sent later than two hours after despatch as Adient will need the Despatch Advice data for planning and disposition.

Granularity:

- In the Pickup Sheet process, one Despatch Advice must be sent for every Pickup Sheet.
- Sending multiple Despatch Advices per Pickup Sheet is not allowed.
- In the Delivery Schedule process, one Despatch Advice should typically be sent per delivery or truck.
- In exceptional cases, multiple Despatch Advices might be sent per delivery; however, each handling unit must be assigned to only one Despatch Advice.
- Pallets that contain items from different Despatch Advices are not permitted.
- Each Despatch Advice must correspond to exactly one delivery paper document.

Packaging:

- Complete packaging information has to be sent in the Despatch Advice. Packaging needs to include information on all handling units in the shipment. See the information below for handling unit types:

Single Handling Units (S-Label)

A handling unit which contains the individual goods (typically a carton, box, or small load carrier system)

Master Handling Units (M-Label)

An outer handling unit that contains one or more single handling units (typically a pallet). There is only one type of material in the master handling unit, e.g., all boxes on the pallet contain the same material.

Mixed Handling Units (G-Label)

An outer handling unit that contains multiple other single handling units (typically a pallet). There are multiple types of material in the master handling

unit, e.g., one box on the pallet contains material X and another box on the same pallet contains material Y.

- Each handling unit is to be assigned a unique handling unit number by the supplier, which must never repeat. This handling unit number is to be transmitted in the Despatch Advice and is also to be printed on the label as part of the “License Plate”.
- SG10 (CPS segment group) information **must be repeated** for:
 - each different type handling unit (S, M, G Labels)
 - each single handling unit with different content (e.g. Box 1/ Part A, Box 2/Part B)
 - each single handling unit with content that belongs to a different PO (e.g. Program ABC/Box 1/Part A/PO #11111, Program DEF/Box 2/Part A/PO #22222)
- SG10 (CPS segment group) information **must not be repeated** for:
 - handling units with the same packaging
 - handling units with the same contents
- SG11 (PAC segment group) information **must be repeated** for:
 - each different type packaging used to package same material
 - each single handling unit containing the same content but a different quantity per pack
- SG11 (PAC segment group) information **must not be repeated** for:
 - handling units with the same content and quantity per pack
- SG13 (PCI segment group) information **must be repeated** for:
 - each handling unit
- SG15 (LIN segment group) information **must be repeated** for:
 - each different material packed within the same single handling unit
- SG15 (LIN segment group) information **must not be repeated** for:
 - each single handling unit with the same content

AD96AENVDESADV Adient D96A DESADV Envelope Structure

Introduction:

The Service String Advice, UNA, and the service segments UNB to UNZ shall appear in the below stated order in an interchange. There may be several functional groups or messages within an interchange and several messages in a functional group. A message consists of segments.

<u>Adient Attributes</u>	<u>Pos. No.</u>	<u>Seg. ID</u>	<u>Name</u>	<u>Base Attributes</u>	<u>Max.Use</u>	<u>Group Repeat</u>	<u>Notes and Comments</u>
	0005	UNA	Service String advice	C	1		
M	0010	UNB	Interchange Header	M	1		
	0020	UNG	Functional Group Header	C	1		
	0030	UNE	Functional Group Trailer	C	1		
M	0040	UNZ	Interchange Trailer	M	1		

Segment: **UNA** Service String advice
Position: 0005
Group:
Level: 0
Usage: Conditional (Optional)
Max Use: 1
Purpose: To define the characters selected for use as delimiters and indicators in the rest of the interchange that follows:

The specifications in the Service string advice take precedence over the specifications for delimiters etc. in segment UNB. See clause 4.

When transmitted, the Service string advice must appear immediately before the Interchange Header (UNB) segment and begin with the upper case characters UNA immediately followed by the six characters selected by the sender to indicate, in sequence, the following functions:

Dependency Notes:
Semantic Notes:
Comments:
Notes:

Notes to Trading Partner

The UNA segment is optional in an EDIFACT interchange. The specifications in the UNA segment define the characters used as separators and indicators for the interchange. This segment will only be sent if the interchange contains non-standard separator characters.

Data Examples

UNA+>+*+.+\++~

Data Element Summary

<u>User</u>	<u>Data</u>	<u>Component</u>	<u>Attributes</u>
<u>Attribute</u>	<u>Element</u>	<u>Element</u> <u>Name</u>	
M	UNA1	COMPONENT DATA ELEMENT SEPARATOR	M an1
M	UNA2	DATA ELEMENT SEPARATOR	M an1
M	UNA3	DECIMAL NOTATION	M an1
		Notes to Trading Partner: Comma or full stop	
M	UNA4	RELEASE INDICATOR	M an1
		Notes to Trading Partner: If not used, insert space character	
M	UNA5	RESERVED FOR FUTURE USE	M an1
		Notes to Trading Partner: Insert space character	
M	UNA6	SEGMENT TERMINATOR	M an1

Segment: UNB Interchange Header
Position: 0010
Group:
Level: 0
Usage: Mandatory
Max Use: 1
Purpose: To start, identify and specify an interchange
Dependency Notes:
Semantic Notes:
Comments:
Business Rules: Variable Name: UNB
Notes: **Data Examples**

UNB+UNOA:3+SENDER-ID:ZZZ+RECEIVER-ID:ZZZ+140522:1522+120000001++DESADV'

Data Element Summary

<u>User</u>	<u>Data</u>	<u>Component</u>	<u>Name</u>	<u>Attributes</u>
<u>Attribute</u>	<u>Element</u>	<u>Element</u>		
M	S001		SYNTAX IDENTIFIER	M
			Identification of the agency controlling the syntax and indication of syntax level.	
M		0001	Syntax identifier	M a4
			Coded identification of the agency controlling a syntax and syntax level used in an interchange. Refer to D.96A Data Element Dictionary for acceptable code values.	
M		0002	Syntax version number	M n1
			Version number of the syntax identified in the syntax identifier (0001).	
M	S002		INTERCHANGE SENDER	M
			Identification of the sender of the interchange.	
M		0004	Sender identification	M an..35
			Name or coded representation of the sender of a data interchange. Notes to Trading Partner: The sender identification can be the company EAN or DUNS code or a company-specific code.	
		0007	Partner identification code qualifier	C an..4
			Qualifier referring to the source of codes for the identifiers of interchanging partners. Notes to Trading Partner: Qualifiers to be determined by trading partner relationship. Refer to D.96A Data Element Dictionary for acceptable code values.	
		0008	Address for reverse routing	C an..14
			Address specified by the sender of an interchange to be included by the recipient in the response interchanges to facilitate internal routing.	
M	S003		INTERCHANGE RECIPIENT	M
			Identification of the recipient of the interchange.	

M		0010 Recipient identification	M an..35
		Name or coded representation of the recipient of a data interchange.	
		Notes to Trading Partner:	
		The receiver identification can be the company EAN or DUNS code or a company specific code.	
		0007 Partner identification code qualifier	C an..4
		Qualifier referring to the source of codes for the identifiers of interchanging partners.	
		Notes to Trading Partner:	
		Qualifiers to be determined by trading partner relationship.	
		Refer to D.96A Data Element Dictionary for acceptable code values.	
		0014 Routing address	C an..14
		Address specified by the recipient of an interchange to be included by the sender and used by the recipient for routing of received interchanges inside his organization.	
M	S004	DATE AND TIME OF PREPARATION	M
		Date and time of preparation of the interchange.	
M		0017 Date of preparation	M n6
		Local date when an interchange or a functional group was prepared.	
		Notes to Trading Partner:	
		Format: YYMMDD	
M		0019 Time of preparation	M n4
		Local time of day when an interchange or a functional group was prepared.	
		Notes to Trading Partner:	
		Format: HHMM	
M	0020	INTERCHANGE CONTROL REFERENCE	M an..14
		Unique reference assigned by the sender to an interchange.	
	S005	RECIPIENTS REFERENCE PASSWORD	C
		Reference or password as agreed between the communicating partners.	
M	0022	Recipient reference/password	M an..14
		Unique reference assigned by the recipient to the data interchange or a password to the recipient's system or to a third party network as specified in the partners interchange agreement.	
	0025	Recipient reference/password qualifier	C an2
		Qualifier for the recipient's reference or password.	
		Refer to D.96A Data Element Dictionary for acceptable code values.	
Must Use	0026	APPLICATION REFERENCE	C an..14
		Identification of the application area assigned by the sender, to which the messages in the interchange relate e.g. the message identifier if all the messages in the interchange are of the same type.	
	0029	PROCESSING PRIORITY CODE	C a1
		Code determined by the sender requesting processing priority for the interchange.	
		Refer to D.96A Data Element Dictionary for acceptable code values.	

0031	ACKNOWLEDGEMENT REQUEST	C n1
	Code determined by the sender for acknowledgement of the interchange. Refer to D.96A Data Element Dictionary for acceptable code values.	
0032	COMMUNICATIONS AGREEMENT ID	C an..35
	Identification by name or code of the type of agreement under which the interchange takes place.	
0035	TEST INDICATOR	C n1
	Indication that the interchange is a test. Refer to D.96A Data Element Dictionary for acceptable code values.	

Segment: **UNG Functional Group Header**
Position: 0020
Group:
Level: 0
Usage: Conditional (Optional)
Max Use: 1
Purpose: To head, identify and specify a Functional Group
Dependency Notes:
Semantic Notes:
Comments:
Business Rules: Variable Name: UNG
Notes: **Notes to Trading Partner**

This segment is optional and is used to send additional sender/receiver ID information.

Data Examples

UNG+DESADV+SNDGRPID:ZZZ+RCVRGRPID:ZZZ+140507:1754+413+UN+D:96A'

Data Element Summary

<u>User</u>	<u>Data</u>	<u>Component</u>	<u>Name</u>	<u>Attributes</u>
<u>Attribute</u>	<u>Element</u>	<u>Element</u>		
M	0038		FUNCTIONAL GROUP IDENTIFICATION Identification of the one type of messages in a functional group.	M an..6
M	S006		APPLICATION SENDER IDENTIFICATION Identification of the sender's division, department etc. from which a group of messages is sent.	M
M		0040	Application sender identification Name or code identifying the originating division, department etc. within the sender's organization. Notes to Trading Partner: The sender identification can be the company EAN or DUNS code or a company specific code.	M an..35
		0007	Partner identification code qualifier Qualifier referring to the source of codes for the identifiers of interchanging partners. Notes to Trading Partner: Qualifiers to be determined by trading partner relationship. Refer to D.96A Data Element Dictionary for acceptable code values.	C an..4
M	S007		APPLICATION RECIPIENTS IDENTIFICATION Identification of the recipient's division, department etc. for which a group of messages is intended.	M
M		0044	Application recipient's identification Name or code identifying the division, department etc. within the recipient's organization for which the group of messages is intended. Notes to Trading Partner: The receiver identification can be the company EAN or DUNS code or a company specific code.	M an..35

		0007	Partner identification code qualifier	C an..4
			Qualifier referring to the source of codes for the identifiers of interchanging partners.	
			Notes to Trading Partner:	
			Qualifiers to be determined by trading partner relationship.	
			Refer to D.96A Data Element Dictionary for acceptable code values.	
M	S004		DATE AND TIME OF PREPARATION	M
			Date and time of preparation of the interchange.	
M		0017	Date of preparation	M n6
			Local date when an interchange or a functional group was prepared.	
			Notes to Trading Partner:	
			Format: YYMMDD	
M		0019	Time of preparation	M n4
			Local time of day when an interchange or a functional group was prepared.	
			Notes to Trading Partner:	
			Format: HHMM	
M	0048		FUNCTIONAL GROUP REFERENCE NUMBER	M an..14
			Reference number for the functional group assigned by and unique within the sender's division, department etc.	
M	0051		CONTROLLING AGENCY	M an..2
			Code identifying the agency controlling the specification, maintenance and publication of the message type.	
			Refer to D.96A Data Element Dictionary for acceptable code values.	
M	S008		MESSAGE VERSION	M
			Specification of the type of messages in the functional group.	
M		0052	Message type version number	M an..3
			Version number of a message type.	
M		0054	Message type release number	M an..3
			Release number within the current message type version number (0052).	
		0057	Association assigned code	C an..6
			Code, assigned by the association responsible for the design and maintenance of the message type concerned, which further identifies the message.	
	0058		APPLICATION PASSWORD	C an..14
			Password to the recipient's division, department or sectional system.	

Segment: **UNE Functional Group Trailer**
Position: 0030
Group:
Level: 0
Usage: Conditional (Optional)
Max Use: 1
Purpose: To end and check the completeness of a Functional Group
Dependency Notes:
Semantic Notes:
Comments:
Notes: **Data Examples**

UNE+1+413'

Data Element Summary

<u>User Attribute</u>	<u>Data Element</u>	<u>Component Element</u>	<u>Name</u>	<u>Attributes</u>
M	0060		NUMBER OF MESSAGES A count of the number of messages in a functional group. Notes to Trading Partner: This field will contain the count of the number of messages present in the data file.	M n..6
M	0048		FUNCTIONAL GROUP REFERENCE NUMBER Reference number for the functional group assigned by and unique within the sender's division, department etc. Notes to Trading Partner: This value will match what is sent in the UNG_0048 element.	M an..14

Segment: UNZ Interchange Trailer
Position: 0040
Group:
Level: 0
Usage: Mandatory
Max Use: 1
Purpose: To end and check the completeness of an interchange.
Dependency Notes:
Semantic Notes:
Comments:
Notes: Data Examples

UNZ+1+120000001'

Data Element Summary

<u>User</u>	<u>Data</u>	<u>Component</u>	<u>Name</u>	<u>Attributes</u>
<u>Attribute</u>	<u>Element</u>	<u>Element</u>		
M	0036		INTERCHANGE CONTROL COUNT	M n..6
			Count either of the number of messages or, if used, of the number of functional groups in an interchange.	
			Notes to Trading Partner:	
			This field will contain the count of the number of interchanges present in the data file.	
M	0020		INTERCHANGE CONTROL REFERENCE	M an..14
			Unique reference assigned by the sender to an interchange.	
			Notes to Trading Partner:	
			This value will match what is sent in the UNB_0020 element.	

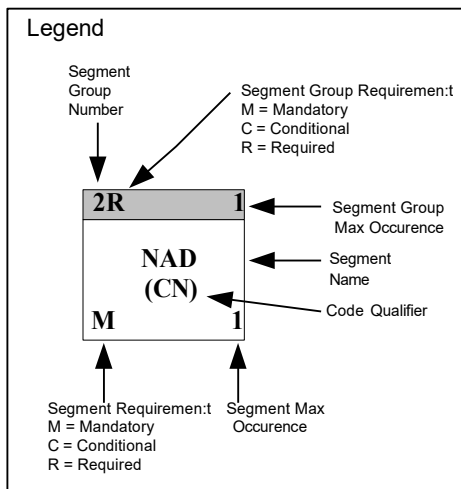
DESADV Despatch Advice Message

Introduction

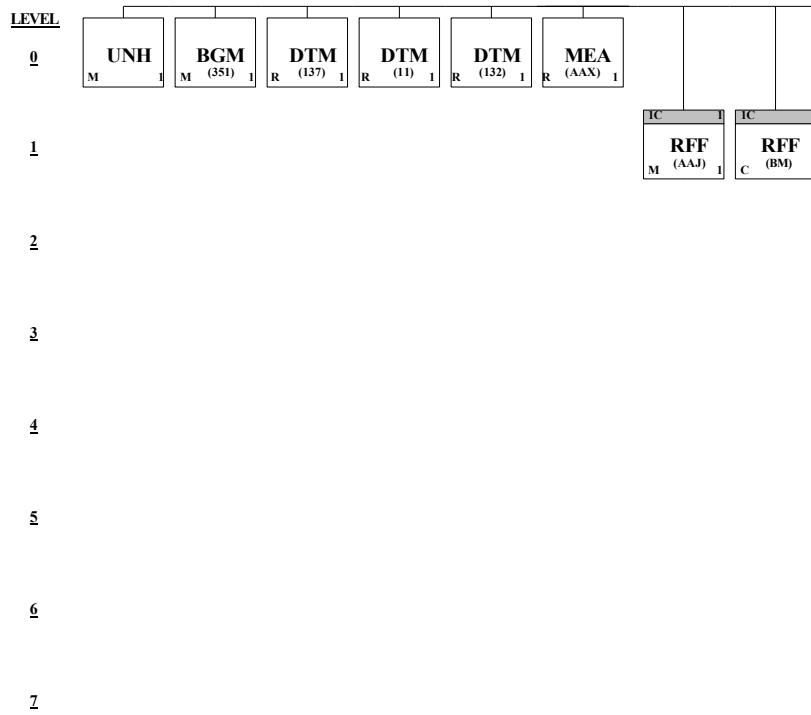
Purpose:

A message specifying details for goods despatched or ready for despatch under agreed conditions. The United Nations Despatch Advice Message serves both as a specification for Delivery Despatch Advice and also as a Returns Despatch Advice message. Throughout this document, we will refer to this message as either "Despatch Advice" or "Advanced Delivery Advise" (ASN).

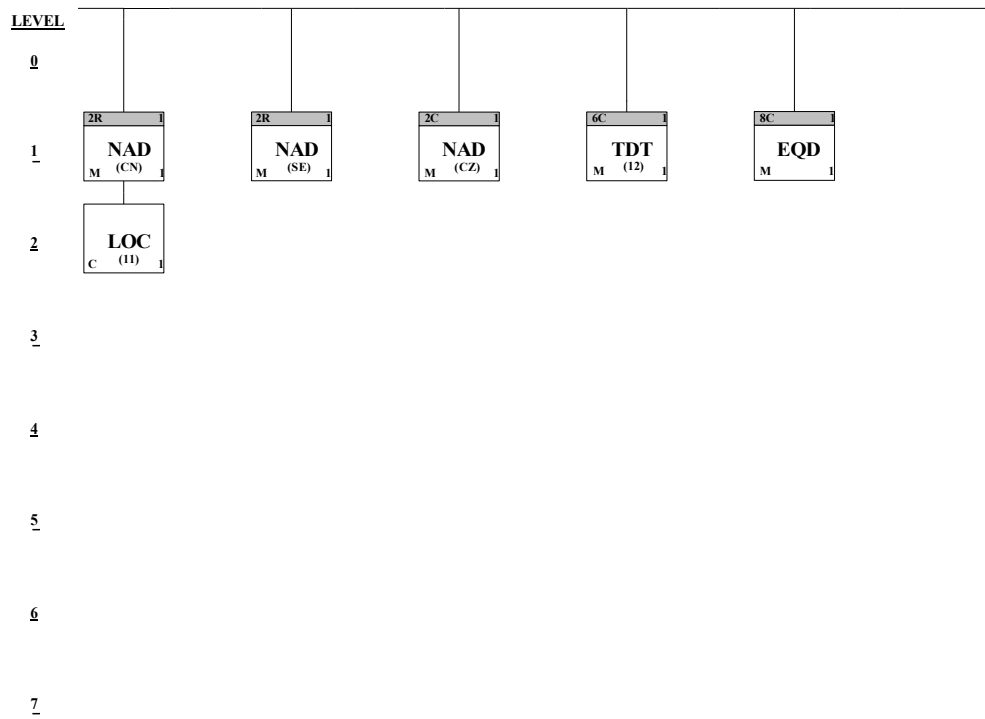
Branching Diagram



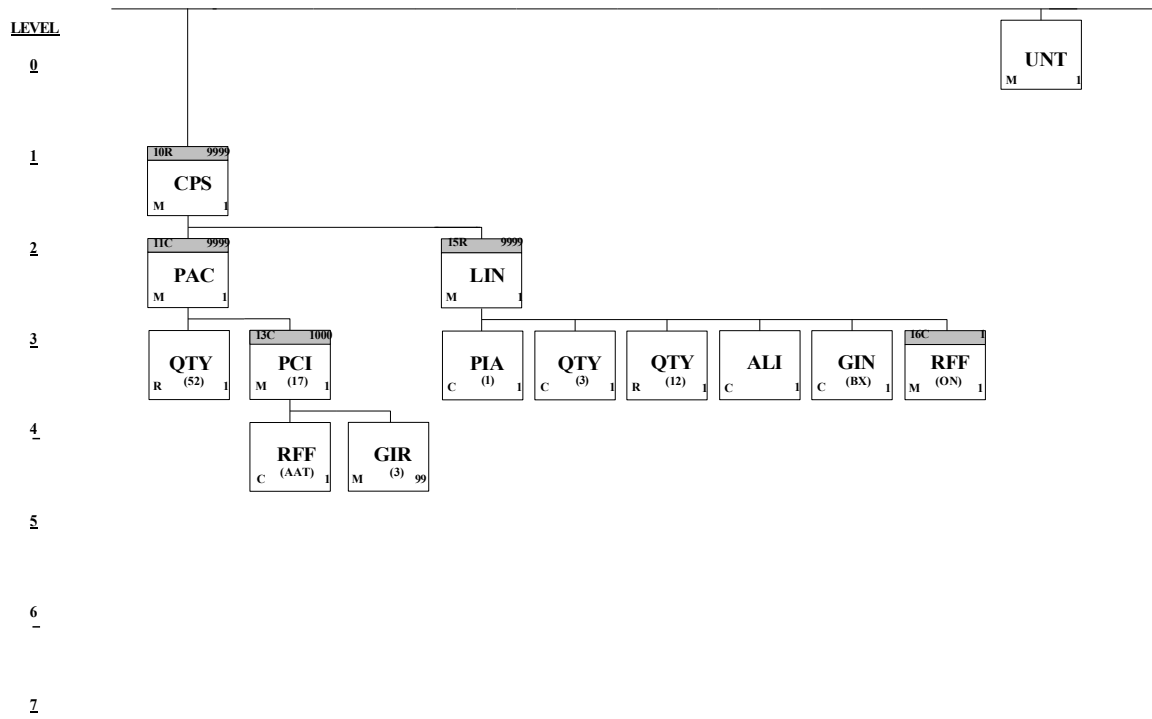
Branching Diagram (continued)



Branching Diagram (continued)



Branching Diagram (continued)



Segment/Loop Table

Heading Section:

<u>Adient Attributes</u>	<u>Pos. No.</u>	<u>Seg. ID</u>	<u>Name</u>	<u>Base Attributes</u>	<u>Max. Use</u>	<u>Group Repeat</u>	<u>Notes and Comments</u>
M	0010	UNH	Message Header	M	1		
M	0020	BGM	Beginning of Message	M	1		
Must Use	0030	DTM	Date/Time/Period - Message Creation Date/Time	C	1		
Must Use	0030	DTM	Date/Time/Period - Ship Date/Time	C	1		
Must Use	0030	DTM	Date/Time/Period - Estimated Arrival Date/Time	C	1		
Not Used	0040	ALI	Additional Information	C	5		
Must Use	0050	MEA	Measurements	C	1		
Not Used	0060	MOA	Monetary Amount	C	5		
	0070		Segment Group 1: RFF-DTM	C		1	
M	0080	RFF	Reference - Pickup Sheet Number	M	1		
Not Used	0090	DTM	Date/Time/Period	C	1		
	0070		Segment Group 1: RFF-DTM	C		1	
M	0080	RFF	Reference - Bill-of-Lading Number	M	1		
Not Used	0090	DTM	Date/Time/Period	C	1		
	0100		Segment Group 2: NAD-LOC-SG3-SG4	C		1	
M	0110	NAD	Name and Address - Consignee (Ship To)	M	1		
	0120	LOC	Place/Location Identification - Consignee (Ship To)	C	1		
	0130		Segment Group 3: RFF-DTM	C		10	
Not Used	0140	RFF	Reference	M	1		
Not Used	0150	DTM	Date/Time/Period	C	1		
	0160		Segment Group 4: CTA-COM	C		10	
Not Used	0170	CTA	Contact Information	M	1		
Not Used	0180	COM	Communication Contact	C	5		
	0100		Segment Group 2: NAD-LOC-SG3-SG4	C		1	
M	0110	NAD	Name and Address - Seller (Supplier)	M	1		
Not Used	0120	LOC	Place/Location Identification	C	10		
	0130		Segment Group 3: RFF-DTM	C		10	
Not Used	0140	RFF	Reference	M	1		
Not Used	0150	DTM	Date/Time/Period	C	1		
	0160		Segment Group 4: CTA-COM	C		10	
Not Used	0170	CTA	Contact Information	M	1		
Not Used	0180	COM	Communication Contact	C	5		
	0100		Segment Group 2: NAD-LOC-SG3-SG4	C		1	
M	0110	NAD	Name and Address - Consignor (Ship From)	M	1		
Not Used	0120	LOC	Place/Location Identification	C	10		
	0130		Segment Group 3: RFF-DTM	C		10	
Not Used	0140	RFF	Reference	M	1		
Not Used	0150	DTM	Date/Time/Period	C	1		

Not Used	0160		Segment Group 4: CTA-COM	C	10
Not Used	0170	CTA	Contact Information	M	1
Not Used	0180	COM	Communication Contact	C	5
Not Used	0190		Segment Group 5: TOD-LOC-FTX	C	10
Not Used	0200	TOD	Terms of Delivery or Transport	M	1
Not Used	0210	LOC	Place/Location Identification	C	5
Not Used	0220	FTX	Free Text	C	5
	0230		Segment Group 6: TDT-PCD-SG7	C	1
M	0240	TDT	Details of Transport	M	1
Not Used	0250	PCD	Percentage Details	C	6
Not Used	0260		Segment Group 7: LOC-DTM	C	10
Not Used	0270	LOC	Place/Location Identification	M	1
Not Used	0280	DTM	Date/Time/Period	C	10
	0290		Segment Group 8: EQD-MEA-SEL-EQA-SG9	C	1
M	0300	EQD	Equipment Details	M	1
Not Used	0310	MEA	Measurements	C	5
Not Used	0320	SEL	Seal Number	C	25
Not Used	0330	EQA	Attached Equipment	C	5
Not Used	0340		Segment Group 9: HAN-FTX	C	10
Not Used	0350	HAN	Handling Instructions	M	1
Not Used	0360	FTX	Free Text	C	10

Detail Section:

<u>Adient Attributes</u>	<u>Pos. No.</u>	<u>Seg. ID</u>	<u>Name</u>	<u>Base Attributes</u>	<u>Max.Use</u>	<u>Group Repeat</u>	<u>Notes and Comments</u>
Must Use	0370		Segment Group 10: CPS-FTX-SG11-SG15	C		9999	
M	0380	CPS	Consignment Packing Sequence	M	1		
Not Used	0390	FTX	Free Text	C	5		
Must Use	0400		Segment Group 11: PAC-MEA-QTY-SG12-SG13	C		9999	
M	0410	PAC	Package	M	1		
Not Used	0420	MEA	Measurements	C	10		
Must Use	0430	QTY	Quantity - Per Pack	C	1		
Not Used	0440		Segment Group 12: HAN-FTX	C		10	
Not Used	0450	HAN	Handling Instructions	M	1		
Not Used	0460	FTX	Free Text	C	10		
Must Use	0470		Segment Group 13: PCI-RFF-DTM-GIR-SG14	C		1000	
M	0480	PCI	Package Identification	M	1		
	0490	RFF	Reference - Master Label Number	C	1		
Not Used	0500	DTM	Date/Time/Period	C	5		
M	0510	GIR	Related Identification Numbers	M	99		
Not Used	0520		Segment Group 14: GIN-DLM	C		99	
Not Used	0530	GIN	Goods Identity Number	M	1		
Not Used	0540	DLM	Delivery Limitations	C	10		
Must Use	0550		Segment Group 15: LIN-PIA-IMD-MEA-QTY-ALI-GIN-GIR-DLM-DTM-FTX-MOA-SG16-SG17-SG18-SG19-SG20-SG23	C		9999	

M	0560	LIN	Line Item	M	1
	0570	PIA	Additional Product Id	C	1
Not Used	0580	IMD	Item Description	C	25
Not Used	0590	MEA	Measurements	C	10
	0600	QTY	Quantity - Cumulative Despatch Quantity	C	1
Must Use	0600	QTY	Quantity - Discrete Despatch Quantity	C	1
	0610	ALI	Additional Information - Country of Origin	C	1
	0620	GIN	Goods Identity Number - Batch Number	C	1
Not Used	0630	GIR	Related Identification Numbers	C	100
Not Used	0640	DLM	Delivery Limitations	C	100
Not Used	0650	DTM	Date/Time/Period	C	5
Not Used	0660	FTX	Free Text	C	5
Not Used	0670	MOA	Monetary Amount	C	5
Must Use	0680	Segment Group 16: RFF-DTM		C	1
M	0690	RFF	Reference - Purchase Order Number	M	1
Not Used	0700	DTM	Date/Time/Period	C	1
Not Used	0710	Segment Group 17: DGS-QTY-FTX		C	10
Not Used	0720	DGS	Dangerous Goods	M	1
Not Used	0730	QTY	Quantity	C	1
Not Used	0740	FTX	Free Text	C	5
Not Used	0750	Segment Group 18: LOC-NAD-DTM-QTY		C	100
Not Used	0760	LOC	Place/Location Identification	M	1
Not Used	0770	NAD	Name and Address	C	1
Not Used	0780	DTM	Date/Time/Period	C	1
Not Used	0790	QTY	Quantity	C	10
Not Used	0800	Segment Group 19: SGP-QTY		C	1000
Not Used	0810	SGP	Split Goods Placement	M	1
Not Used	0820	QTY	Quantity	C	10
Not Used	0830	Segment Group 20: PCI-DTM-MEA-QTY-SG21-SG22		C	9999
Not Used	0840	PCI	Package Identification	M	1
Not Used	0850	DTM	Date/Time/Period	C	5
Not Used	0860	MEA	Measurements	C	10
Not Used	0870	QTY	Quantity	C	1
Not Used	0880	Segment Group 21: GIN-DLM		C	10
Not Used	0890	GIN	Goods Identity Number	M	1
Not Used	0900	DLM	Delivery Limitations	C	100
Not Used	0910	Segment Group 22: HAN-FTX-GIN		C	10
Not Used	0920	HAN	Handling Instructions	M	1
Not Used	0930	FTX	Free Text	C	5
Not Used	0940	GIN	Goods Identity Number	C	1000
Not Used	0950	Segment Group 23: QVR-DTM		C	10
Not Used	0960	QVR	Quantity Variances	M	1
Not Used	0970	DTM	Date/Time/Period	C	5

Summary Section:

<u>Adient Attributes</u>	<u>Pos. No.</u>	<u>Seg. ID</u>	<u>Name</u>	<u>Base Attributes</u>	<u>Max.Use</u>	<u>Group Repeat</u>	<u>Notes and Comments</u>
Not Used	0980	CNT	Control Total	C	5		
M	0990	UNT	Message Trailer	M	1		

Segment: **UNH** Message Header

Position: 0010

Group:

Level: 0

Usage: Mandatory

Max Use: 1

Purpose: A service segment starting and uniquely identifying a message. The message type code for the Despatch advice message is DESADV.

Note: Despatch advice messages conforming to this document must contain the following data in segment UNH, composite S009:

Data element 0065 DESADV 0052 D 0054 96A 0051 UN

Dependency Notes:

Semantic Notes:

Comments:

Business Rules:

Variable Name: UNH1

Notes to Trading Partner

Composite S009 data elements 0065, 0052, 0054, and 0051 indicate that the message is a UNSM Despatch Advice message based on the D.96A directory under the control of the United Nations.

Data Examples

UNH+100000001+DESADV:D:96A:UN'

Data Element Summary

<u>User</u>	<u>Data</u>	<u>Component</u>	<u>Name</u>	<u>Attributes</u>
<u>Attribute</u>	<u>Element</u>	<u>Element</u>		
M	0062		MESSAGE REFERENCE NUMBER Unique message reference assigned by the sender. Notes to Trading Partner: This will be the sender's unique message reference. The value in data element 0062 in the UNT segment will be identical.	M an..14
M	S009		MESSAGE IDENTIFIER Identification of the type, version etc. of the message being interchanged.	M
M		0065	Message type identifier Code identifying a type of message and assigned by its controlling agency. DESADV Despatch advice message A message specifying details for goods despatched or ready for despatch under agreed conditions. The United Nations Despatch Advice Message serves both as a specification for Delivery Despatch Advice and also as a Returns Despatch Advice message.	M an..6
M		0052	Message type version number Version number of a message type. D Draft version/UN/EDIFACT directory	M an..3
M		0054	Message type release number Release number within the current message type version number (0052). 96A	M an..3

M	0051	Controlling agency	M an..2
		Code identifying the agency controlling the specification, maintenance and publication of the message type.	
		UN UN/ECE/TRADE/WP.4, United Nations Standard Messages (UNSM) UN Economic Commission for Europe (UN/ECE), Committee on the development of trade (TRADE), Working Party on facilitation of international trade procedures (WP.4).	
	0057	Association assigned code	C an..6
		Code, assigned by the association responsible for the design and maintenance of the message type concerned, which further identifies the message.	
	0068	COMMON ACCESS REFERENCE	C an..35
		Reference serving as a key to relate all subsequent transfers of data to the same business case or file.	
	S010	STATUS OF THE TRANSFER	C
		Statement that the message is one in a sequence of transfers relating to the same topic.	
M	0070	Sequence message transfer number	M n..2
		Number assigned by the sender indicating that the message is an addition or change of a previously sent message relating to the same topic.	
	0073	First/last sequence message transfer indication	C a1
		Indication used for the first and last message in a sequence of the same type of message relating to the same topic.	
		Refer to D.96A Data Element Dictionary for acceptable code values.	

Segment: **BGM** Beginning of Message
Position: 0020
Group:
Level: 0
Usage: Mandatory
Max Use: 1
Purpose: A segment for unique identification of the Despatch Advice document, by means of its name and its number.

Dependency Notes:

Semantic Notes:

Comments:

Notes: **Notes to Trading Partner**

All references other than the document number sent in data element 1004 are to be put in the RFF segment.

Data element 1004: It is recommended that the length of the document number be restricted to a maximum of 17 characters.

Data Examples

BGM+351+AM6391745+9'

Data Element Summary

<u>User</u>	<u>Data</u>	<u>Component</u>	<u>Name</u>	<u>Attributes</u>
<u>Attribute</u>	<u>Element</u>	<u>Element</u>		
Must Use	C002		DOCUMENT/MESSAGE NAME	C
			Identification of a type of document/message by code or name. Code preferred.	
Must Use		1001	Document/message name, coded	C an..3
			Document/message identifier expressed in code.	
			351 Despatch advice	
			Document/message by means of which the seller or consignor informs the consignee about the despatch of goods.	
Not Used		1131	Code list qualifier	C an..3
			Identification of a code list.	
			Refer to D.96A Data Element Dictionary for acceptable code values.	
Not Used		3055	Code list responsible agency, coded	C an..3
			Code identifying the agency responsible for a code list.	
			Refer to D.96A Data Element Dictionary for acceptable code values.	
Not Used		1000	Document/message name	C an..35
			Plain language identifier specifying the function of a document/message.	
M	1004		DOCUMENT/MESSAGE NUMBER	M an..35
			Reference number assigned to the document/message by the issuer.	

Notes to Trading Partner:

Despatch Advice number assigned by the document sender - also known as packing slip number. Shouldn't start with characters like "C", "I" or "S".

Despatch Number in should contain only Numbers or Alphabets. No special characters allowed.

Must Use	1225	MESSAGE FUNCTION, CODED	C an..3
		Code indicating the function of the message.	
		9 Original	
		Initial transmission related to a given transaction.	
Not Used	4343	RESPONSE TYPE, CODED	C an..3
		Code specifying the type of acknowledgement required or transmitted.	
		Refer to D.96A Data Element Dictionary for acceptable code values.	

Segment: **DTM** **Date/Time/Period - Message Creation Date/Time**
Position: 0030
Group:
Level: 0
Usage: Conditional (Required)
Max Use: 1
Purpose: Date/time/period related to the whole message. The DTM segment must be specified at least once to identify the Despatch Advice date.

Dependency Notes:

Semantic Notes:

Comments:

Notes:

Notes to Trading Partner

This segment is used to specify the creation date/time of the Despatch Advice.

This segment is mandatory in the Despatch Advice.

Data Examples

DTM+137:201404110948:203'

Data Element Summary

<u>User</u>	<u>Data</u>	<u>Component</u>	<u>Name</u>	<u>Attributes</u>
<u>Attribute</u>	<u>Element</u>	<u>Element</u>		
M	C507		DATE/TIME/PERIOD Date and/or time, or period relevant to the specified date/time/period type.	M
M		2005	Date/time/period qualifier Code giving specific meaning to a date, time or period. 137 Document/message date/time (2006) Date/time when a document/message is issued. This may include authentication.	M an..3
Must Use		2380	Date/time/period The value of a date, a date and time, a time or of a period in a specified representation.	C an..35
Must Use		2379	Date/time/period format qualifier Specification of the representation of a date, a date and time or of a period. 203 CCYYMMDDHHMM Calendar date including time with minutes: C=Century; Y=Year; M=Month; D=Day; H=Hour; M=Minutes.	C an..3

Segment: **DTM** Date/Time/Period - Ship Date/Time
Position: 0030
Group:
Level: 0
Usage: Conditional (Required)
Max Use: 1
Purpose: Date/time/period related to the whole message. The DTM segment must be specified at least once to identify the Despatch Advice date.

Dependency Notes:

Semantic Notes:

Comments:

Notes:

Notes to Trading Partner

This segment is used to specify the date/time the carrier leaves with the shipment.

This segment is mandatory in the Despatch Advice.

Data Examples

DTM+11:201404110945:203'

Data Element Summary

User	Data	Component		
<u>Attribute</u>	<u>Element</u>	<u>Element</u>	<u>Name</u>	<u>Attributes</u>
M	C507		DATE/TIME/PERIOD	M
			Date and/or time, or period relevant to the specified date/time/period type.	
M		2005	Date/time/period qualifier	M an..3
			Code giving specific meaning to a date, time or period.	
		11	Despatch date and or time	
			(2170) Date/time on which the goods are or are expected to be despatched or shipped.	
Must Use		2380	Date/time/period	C an..35
			The value of a date, a date and time, a time or of a period in a specified representation.	
Must Use		2379	Date/time/period format qualifier	C an..3
			Specification of the representation of a date, a date and time or of a period.	
		203	CCYYMMDDHHMM	
			Calendar date including time with minutes: C=Century; Y=Year; M=Month; D=Day; H=Hour; M=Minutes.	

Segment: **DTM** **Date/Time/Period - Estimated Arrival Date/Time**
Position: 0030
Group:
Level: 0
Usage: Conditional (Required)
Max Use: 1
Purpose: Date/time/period related to the whole message. The DTM segment must be specified at least once to identify the Despatch Advice date.

Dependency Notes:

Semantic Notes:

Comments:

Notes:

Notes to Trading Partner

This segment is used to specify the estimated date/time of arrival of the shipment at the final destination.

This segment is mandatory in the Despatch Advice.

Data Examples

DTM+132:201404151300:203'

Data Element Summary

<u>User</u>	<u>Data</u>	<u>Component</u>	<u>Name</u>	<u>Attributes</u>
<u>Attribute</u>	<u>Element</u>	<u>Element</u>		
M	C507		DATE/TIME/PERIOD	M
			Date and/or time, or period relevant to the specified date/time/period type.	
M		2005	Date/time/period qualifier	M an..3
			Code giving specific meaning to a date, time or period.	
			132 Arrival date/time, estimated	
			(2348) Date/time when carrier estimates that a means of transport should arrive at the port of discharge or place of destination.	
Must Use		2380	Date/time/period	C an..35
			The value of a date, a date and time, a time or of a period in a specified representation.	
Must Use		2379	Date/time/period format qualifier	C an..3
			Specification of the representation of a date, a date and time or of a period.	
			203 CCYYMMDDHHMM	
			Calendar date including time with minutes: C=Century; Y=Year; M=Month; D=Day; H=Hour; M=Minutes.	

Segment: **MEA** Measurements
Position: 0050
Group:
Level: 0
Usage: Conditional (Required)
Max Use: 1
Purpose: A segment specifying the weight and volume of the consignment.
Dependency Notes:
Semantic Notes:
Comments:
Notes: **Notes to Trading Partner**

This segment is used to specify the gross weight of the entire shipment.

Data Examples

MEA+AAX+AAD+KGM:47'
 MEA+AAX+AAD+LB:200'

Data Element Summary

<u>User</u>	<u>Data</u>	<u>Component</u>	<u>Name</u>	<u>Attributes</u>
<u>Attribute</u>	<u>Element</u>	<u>Element</u>		
M	6311		MEASUREMENT APPLICATION QUALIFIER Specification of the application of the physical measurement used. AAX Consignment measurement Measurement related to a consignment; to be specified by the measurement code dimension value.	M an..3
	C502		MEASUREMENT DETAILS Identification of measurement type.	C
Must Use		6313	Measurement dimension, coded Specification of the type of dimension to be measured. AAD Total gross weight [6292] Weight (mass) of goods including packing but excluding the carrier's equipment.	C an..3
Not Used		6321	Measurement significance, coded Code specifying the significance of a measurement value. Refer to D.96A Data Element Dictionary for acceptable code values.	C an..3
Not Used		6155	Measurement attribute, coded Code used to specify non-discrete measurement values. Refer to D.96A Data Element Dictionary for acceptable code values.	C an..3
Not Used		6154	Measurement attribute To specify non-discrete measurement values.	C an..70
Must Use	C174		VALUE/RANGE Measurement value and relevant minimum and maximum tolerances in that order.	C
M		6411	Measure unit qualifier Indication of the unit of measurement in which weight (mass), capacity, length, area, volume or other quantity is expressed.	M an..3

Must Use	6314	Measurement value Value of the measured unit. Notes to Trading Partner: Shipment Gross Weight - no decimal digits allowed	C	n..18
Not Used	6162	Range minimum Minimum of a range.	C	n..18
Not Used	6152	Range maximum Maximum of a range.	C	n..18
Not Used	6432	Significant digits To specify the number of significant digits.	C	n..2
Not Used	7383	SURFACE/LAYER INDICATOR, CODED Code indicating the surface or layer of a product that is being described. Refer to D.96A Data Element Dictionary for acceptable code values.	C	an..3

Group: **RFF** Segment Group 1: Reference - Pickup Sheet Number
Position: 0070
Group:
Level: 1
Usage: Conditional (Optional)
Max Use: 1
Purpose: A group of segments giving references where necessary, their dates relating to the whole message, e.g. contract number.

Segment Summary

<u>User</u>	<u>Pos.</u>	<u>Seg.</u>	<u>Name</u>	<u>Req.</u>	<u>Max.</u>	<u>Group:</u>
<u>Attribute</u>	<u>No.</u>	<u>ID</u>		<u>Des.</u>	<u>Use</u>	<u>Repeat</u>
M	0080	RFF	Reference - Pickup Sheet Number	M	1	

Segment: **RFF Reference - Pickup Sheet Number**
Position: 0080 (Trigger Segment)
Group: Segment Group 1 (Reference - Pickup Sheet Number) Conditional (Optional)
Level: 1
Usage: Mandatory
Max Use: 1
Purpose: A segment for referencing documents relating to the whole despatch advice message, e.g. purchase orders, delivery instructions, import/export license.

Dependency Notes:

Semantic Notes:

Comments:

Notes: **Notes to Trading Partner**

This segment is mandatory if shipping to a Pickup Sheet Number that was sent in the Pickup Sheet (PUS) DELJIT.

If not shipping to a Pickup Sheet Number, then this segment should not be sent.

Data Examples

RFF+AAJ:042014T120448'

Data Element Summary

<u>User</u>	<u>Data</u>	<u>Component</u>	<u>Name</u>	<u>Attributes</u>
<u>Attribute</u>	<u>Element</u>	<u>Element</u>		
M	C506		REFERENCE	M
			Identification of a reference.	
M		1153	Reference qualifier	M an..3
			Code giving specific meaning to a reference segment or a reference number.	
			AAJ Delivery order number	
			Reference number assigned by issuer to a delivery order.	
Must Use		1154	Reference number	C an..35
			Identification number the nature and function of which can be qualified by an entry in data element 1153 Reference qualifier.	
			Notes to Trading Partner:	
			Pickup Sheet Number sent in the DELJIT	
Not Used		1156	Line number	C an..6
			Number of the line in the document/message referenced in 1154 Reference number.	
Not Used		4000	Reference version number	C an..35
			To uniquely identify a reference by its revision number.	

Group: **RFF** Segment Group 1: Reference - Bill-of-Lading Number
Position: 0070
Group:
Level: 1
Usage: Conditional (Optional)
Max Use: 1
Purpose:

Segment Summary

<u>User</u>	<u>Pos.</u>	<u>Seg.</u>	<u>Name</u>	<u>Req.</u>	<u>Max.</u>	<u>Group:</u>
<u>Attribute</u>	<u>No.</u>	<u>ID</u>		<u>Des.</u>	<u>Use</u>	<u>Repeat</u>
M	0080	RFF	Reference - Bill-of-Lading Number	M	1	

Segment: **RFF Reference - Bill-of-Lading Number**
Position: 0080 (Trigger Segment)
Group: Segment Group 1 (Reference - Bill-of-Lading Number) Conditional (Optional)
Level: 1
Usage: Mandatory
Max Use: 1
Purpose: A segment for referencing documents relating to the whole despatch advice message, e.g. purchase orders, delivery instructions, import/export license.

Dependency Notes:

Semantic Notes:

Comments:

Notes: **Notes to Trading Partner**

This segment is optional and if sent would contain the Bill-of-Lading Number.

Data Examples

RFF+BM:16305610'

Data Element Summary

<u>User</u>	<u>Data</u>	<u>Component</u>	<u>Name</u>	<u>Attributes</u>
<u>Attribute</u>	<u>Element</u>	<u>Element</u>		
M	C506		REFERENCE Identification of a reference.	M
M		1153	Reference qualifier Code giving specific meaning to a reference segment or a reference number. Notes to Trading Partner: The Despatch Advice will be rejected if the Bill-of-Lading number is not sent.	M an..3
			BM Bill of lading number Reference number assigned to a bill of lading, see: 1001 = 705.	
Must Use		1154	Reference number Identification number the nature and function of which can be qualified by an entry in data element 1153 Reference qualifier. Notes to Trading Partner: Bill-of-Lading Number	C an..35
Not Used		1156	Line number Number of the line in the document/message referenced in 1154 Reference number.	C an..6
Not Used		4000	Reference version number To uniquely identify a reference by its revision number.	C an..35

Group: **NAD** Segment Group 2: Name and Address - Consignee (Ship To)
Position: 0100
Group:
Level: 1
Usage: Conditional (Required)
Max Use: 1
Purpose: A group of segments identifying names, addresses, locations, and required supporting documents relevant to the whole Despatch Advice.

Segment Summary

<u>User</u>	<u>Pos.</u>	<u>Seg.</u>	<u>Name</u>	<u>Req.</u>	<u>Max.</u>	<u>Group:</u>
<u>Attribute</u>	<u>No.</u>	<u>ID</u>		<u>Des.</u>	<u>Use</u>	<u>Repeat</u>
M	0110	NAD	Name and Address - Consignee (Ship To)	M	1	
	0120	LOC	Place/Location Identification - Consignee (Ship To)	C	1	

Segment: **NAD** Name and Address - Consignee (Ship To)
Position: 0110 (Trigger Segment)
Group: Segment Group 2 (Name and Address - Consignee (Ship To)) Conditional
 (Required)
Level: 1
Usage: Mandatory
Max Use: 1
Purpose: A segment for identifying names, addresses, and their functions relevant to the whole Despatch Advice. Identification of the parties involved is recommended for the Despatch Advice message, and is to be given in the NAD segment. It is recommended that where possible, only the coded form of the party ID should be specified, e.g. the buyer and seller are known to each other, thus only the coded ID is required. The consignee or delivery address may vary and would have to be clearly specified, preferably in structured format.

Dependency Notes:
Semantic Notes:
Comments:
Notes:

Notes to Trading Partner

This segment is used to identify the consignee (ship to) involved in the Despatch Advice message.

This segment is mandatory in the Despatch Advice.

Data Examples

NAD+CN+1801::92++CONSIGNEE NAME'

Data Element Summary

<u>User</u>	<u>Data</u>	<u>Component</u>	<u>Name</u>	<u>Attributes</u>
<u>Attribute</u>	<u>Element</u>	<u>Element</u>		
M	3035		PARTY QUALIFIER Code giving specific meaning to a party. CN Consignee (3132) Party to which goods are consigned.	M an..3
Must Use	C082		PARTY IDENTIFICATION DETAILS Identification of a transaction party by code.	C
M		3039	Party id. identification Code identifying a party involved in a transaction.	M an..35
			Notes to Trading Partner: Adient 4-digit site code - e.g. 1449	
Not Used		1131	Code list qualifier Identification of a code list. Refer to D.96A Data Element Dictionary for acceptable code values.	C an..3
Must Use		3055	Code list responsible agency, coded Code identifying the agency responsible for a code list. 92 Assigned by buyer or buyer's agent	C an..3
Not Used	C058		NAME AND ADDRESS Unstructured name and address: one to five lines.	C
Not Used		3124	Name and address line Free form name and address description.	M an..35
Not Used		3124	Name and address line Free form name and address description.	C an..35

Not Used		3124	Name and address line Free form name and address description.	C	an..35
Not Used		3124	Name and address line Free form name and address description.	C	an..35
Not Used		3124	Name and address line Free form name and address description.	C	an..35
	C080		PARTY NAME Identification of a transaction party by name, one to five lines. Party name may be formatted.	C	
M		3036	Party name Name of a party involved in a transaction.	M	an..35
		3036	Party name Name of a party involved in a transaction.	C	an..35
Not Used		3036	Party name Name of a party involved in a transaction.	C	an..35
Not Used		3036	Party name Name of a party involved in a transaction.	C	an..35
Not Used		3036	Party name Name of a party involved in a transaction.	C	an..35
Not Used		3045	Party name format, coded Specification of the representation of a party name. Refer to D.96A Data Element Dictionary for acceptable code values.	C	an..3
Not Used	C059		STREET Street address and/or PO Box number in a structured address: one to three lines.	C	
Not Used		3042	Street and number/p.o. box Street and number in plain language, or Post Office Box No.	M	an..35
Not Used		3042	Street and number/p.o. box Street and number in plain language, or Post Office Box No.	C	an..35
Not Used		3042	Street and number/p.o. box Street and number in plain language, or Post Office Box No.	C	an..35
Not Used		3042	Street and number/p.o. box Street and number in plain language, or Post Office Box No.	C	an..35
Not Used	3164		CITY NAME Name of a city (a town, a village) for addressing purposes.	C	an..35
Not Used	3229		COUNTRY SUB-ENTITY IDENTIFICATION Identification of the name of sub-entities (state, province) defined by appropriate governmental agencies.	C	an..9
Not Used	3251		POSTCODE IDENTIFICATION Code defining postal zones or addresses.	C	an..9
Not Used	3207		COUNTRY, CODED Identification of the name of a country or other geographical entity as specified in ISO 3166.	C	an..3

Segment: **LOC** **Place/Location Identification - Consignee (Ship To)**
Position: 0120
Group: Segment Group 2 (Name and Address - Consignee (Ship To)) Conditional
 (Required)
Level: 2
Usage: Conditional (Optional)
Max Use: 1
Purpose: A segment indicating more details regarding specific places/locations related to the party specified in the NAD segment, e.g. internal site/building number.

Dependency Notes:

Semantic Notes:

Comments:

Notes:

Notes to Trading Partner

This segment is used to indicate more precise receiving locations at the delivery site.

This segment is mandatory if required to ship to a specific Adient dock code or other internal Adient location as specified by the buyer.

Data Examples

LOC+11+ABC123'

Data Element Summary

<u>User</u>	<u>Data</u>	<u>Component</u>	<u>Attributes</u>
<u>Attribute</u>	<u>Element</u>	<u>Element</u> <u>Name</u>	
M	3227	PLACE/LOCATION QUALIFIER Code identifying the function of a location.	M an..3
		11 Place/port of discharge (3392 + 3414) Seaport, airport, freight terminal, rail station or other place at which the goods (cargo) are unloaded from the means of transport having been used for their carriage.	
Must Use	C517	LOCATION IDENTIFICATION Identification of a location by code or name.	C
Must Use	3225	Place/location identification Identification of the name of place/location, other than 3164 City name.	C an..8
		Notes to Trading Partner: Code identifying the dock or other internal location at the receiving site.	
Not Used	1131	Code list qualifier Identification of a code list. Refer to D.96A Data Element Dictionary for acceptable code values.	C an..3
Not Used	3055	Code list responsible agency, coded Code identifying the agency responsible for a code list. Refer to D.96A Data Element Dictionary for acceptable code values.	C an..3
Not Used	3224	Place/location Name of place/location, other than 3164 City name.	C an..70

Not Used	C519	RELATED LOCATION ONE IDENTIFICATION	C	
		Identification the first related location by code or name.		
Not Used	3223	Related place/location one identification	C	an..25
		Specification of the first related place/location by code.		
Not Used	1131	Code list qualifier	C	an..3
		Identification of a code list.		
		Refer to D.96A Data Element Dictionary for acceptable code values.		
Not Used	3055	Code list responsible agency, coded	C	an..3
		Code identifying the agency responsible for a code list.		
		Refer to D.96A Data Element Dictionary for acceptable code values.		
Not Used	3222	Related place/location one	C	an..70
		Specification of the first related place/location by name.		
Not Used	C553	RELATED LOCATION TWO IDENTIFICATION	C	
		Identification of second related location by code or name.		
Not Used	3233	Related place/location two identification	C	an..25
		Specification of a second related place/location by code.		
Not Used	1131	Code list qualifier	C	an..3
		Identification of a code list.		
		Refer to D.96A Data Element Dictionary for acceptable code values.		
Not Used	3055	Code list responsible agency, coded	C	an..3
		Code identifying the agency responsible for a code list.		
		Refer to D.96A Data Element Dictionary for acceptable code values.		
Not Used	3232	Related place/location two	C	an..70
		Specification of a second related place/location by name.		
Not Used	5479	RELATION, CODED	C	an..3
		To specify the relationship between two or more items.		

Group: **NAD** Segment Group 2: Name and Address - Seller (Supplier)
Position: 0100
Group:
Level: 1
Usage: Conditional (Required)
Max Use: 1
Purpose:

Segment Summary

<u>User</u>	<u>Pos.</u>	<u>Seg.</u>	<u>Name</u>	<u>Req.</u>	<u>Max.</u>	<u>Group:</u>
<u>Attribute</u>	<u>No.</u>	<u>ID</u>		<u>Des.</u>	<u>Use</u>	<u>Repeat</u>
M	0110	NAD	Name and Address - Seller (Supplier)	M	1	

Segment: **NAD** Name and Address - Seller (Supplier)
Position: 0110 (Trigger Segment)
Group: Segment Group 2 (Name and Address - Seller (Supplier)) Conditional (Required)
Level: 1
Usage: Mandatory
Max Use: 1
Purpose: A segment for identifying names, addresses, and their functions relevant to the whole Despatch Advice. Identification of the parties involved is recommended for the Despatch Advice message, and is to be given in the NAD segment.

It is recommended that where possible, only the coded form of the party ID should be specified, e.g. the buyer and seller are known to each other, thus only the coded ID is required. The consignee or delivery address may vary and would have to be clearly specified, preferably in structured format.

Dependency Notes:
Semantic Notes:
Comments:
Notes:

Notes to Trading Partner

This segment is used to identify the seller (supplier) involved in the Despatch Advice message.

This segment is mandatory in the Despatch Advice.

Data Examples

NAD+SE+319204::92++SELLER NAME'

Data Element Summary

<u>User</u>	<u>Data</u>	<u>Component</u>	<u>Name</u>	<u>Attributes</u>
<u>Attribute</u>	<u>Element</u>	<u>Element</u>		
M	3035		PARTY QUALIFIER Code giving specific meaning to a party. SE Seller (3346) Party selling merchandise to a buyer.	M an..3
Must Use	C082		PARTY IDENTIFICATION DETAILS Identification of a transaction party by code.	C
M		3039	Party id. identification Code identifying a party involved in a transaction.	M an..35
			Notes to Trading Partner: Adient-assigned supplier code	
Not Used		1131	Code list qualifier Identification of a code list. Refer to D.96A Data Element Dictionary for acceptable code values.	C an..3
Must Use		3055	Code list responsible agency, coded Code identifying the agency responsible for a code list. 92 Assigned by buyer or buyer's agent	C an..3
Not Used	C058		NAME AND ADDRESS Unstructured name and address: one to five lines.	C

Not Used		3124	Name and address line Free form name and address description.	M	an..35
Not Used		3124	Name and address line Free form name and address description.	C	an..35
Not Used		3124	Name and address line Free form name and address description.	C	an..35
Not Used		3124	Name and address line Free form name and address description.	C	an..35
Not Used		3124	Name and address line Free form name and address description.	C	an..35
	C080		PARTY NAME Identification of a transaction party by name, one to five lines. Party name may be formatted.	C	
M		3036	Party name Name of a party involved in a transaction.	M	an..35
		3036	Party name Name of a party involved in a transaction.	C	an..35
Not Used		3036	Party name Name of a party involved in a transaction.	C	an..35
Not Used		3036	Party name Name of a party involved in a transaction.	C	an..35
Not Used		3036	Party name Name of a party involved in a transaction.	C	an..35
Not Used		3045	Party name format, coded Specification of the representation of a party name. Refer to D.96A Data Element Dictionary for acceptable code values.	C	an..3
Not Used	C059		STREET Street address and/or PO Box number in a structured address: one to three lines.	C	
Not Used		3042	Street and number/p.o. box Street and number in plain language, or Post Office Box No.	M	an..35
Not Used		3042	Street and number/p.o. box Street and number in plain language, or Post Office Box No.	C	an..35
Not Used		3042	Street and number/p.o. box Street and number in plain language, or Post Office Box No.	C	an..35
Not Used		3042	Street and number/p.o. box Street and number in plain language, or Post Office Box No.	C	an..35
Not Used		3164	CITY NAME Name of a city (a town, a village) for addressing purposes.	C	an..35
Not Used		3229	COUNTRY SUB-ENTITY IDENTIFICATION Identification of the name of sub-entities (state, province) defined by appropriate governmental agencies.	C	an..9
Not Used		3251	POSTCODE IDENTIFICATION Code defining postal zones or addresses.	C	an..9
Not Used		3207	COUNTRY, CODED Identification of the name of a country or other geographical entity as specified in ISO 3166.	C	an..3

Group: **NAD** Segment Group 2: Name and Address - Consignor (Ship From)
Position: 0100
Group:
Level: 1
Usage: Conditional (Optional)
Max Use: 1
Purpose:

Segment Summary

<u>User</u>	<u>Pos.</u>	<u>Seg.</u>	<u>Name</u>	<u>Req.</u>	<u>Max.</u>	<u>Group:</u>
<u>Attribute</u>	<u>No.</u>	<u>ID</u>		<u>Des.</u>	<u>Use</u>	<u>Repeat</u>
M	0110	NAD	Name and Address - Consignor (Ship From)	M	1	

Segment: **NAD** **Name and Address - Consignor (Ship From)**
Position: 0110 (Trigger Segment)
Group: Segment Group 2 (Name and Address - Consignor (Ship From)) Conditional
 (Optional)
Level: 1
Usage: Mandatory
Max Use: 1
Purpose: A segment for identifying names, addresses, and their functions relevant to the whole Despatch Advice. Identification of the parties involved is recommended for the Despatch Advice message, and is to be given in the NAD segment.
 It is recommended that where possible, only the coded form of the party ID should be specified, e.g. the buyer and seller are known to each other, thus only the coded ID is required. The consignee or delivery address may vary and would have to be clearly specified, preferably in structured format.

Dependency Notes:
Semantic Notes:
Comments:
Notes:

Notes to Trading Partner

This segment is used to identify the consignor involved in the Despatch Advice message.

This segment is only required if the consignor is different than the consignee.

Data Examples

NAD+CZ+319204::92++CONSIGNOR NAME' Consignor same as seller
 NAD+CZ+1234567::92++CONSIGNOR NAME' Consignor not same as seller

Data Element Summary

<u>User</u>	<u>Data</u>	<u>Component</u>	<u>Attributes</u>
<u>Attribute</u>	<u>Element</u>	<u>Element</u> <u>Name</u>	
M	3035	PARTY QUALIFIER Code giving specific meaning to a party. CZ Consignor (3336) Party which, by contract with a carrier, consigns or sends goods with the carrier, or has them conveyed by him. Synonym: shipper, sender.	M an..3
Must Use	C082	PARTY IDENTIFICATION DETAILS Identification of a transaction party by code.	C
M	3039	Party id. identification Code identifying a party involved in a transaction. Notes to Trading Partner: ID of Ship From This will be the Adient-assigned supplier code if the Ship From is the same as the Seller.	M an..35
Not Used	1131	Code list qualifier Identification of a code list. Refer to D.96A Data Element Dictionary for acceptable code values.	C an..3

Must Use		3055 Code list responsible agency, coded	C	an..3
		Code identifying the agency responsible for a code list. 92 Assigned by buyer or buyer's agent		
Not Used	C058	NAME AND ADDRESS	C	
		Unstructured name and address: one to five lines.		
Not Used		3124 Name and address line	M	an..35
		Free form name and address description.		
Not Used		3124 Name and address line	C	an..35
		Free form name and address description.		
Not Used		3124 Name and address line	C	an..35
		Free form name and address description.		
Not Used		3124 Name and address line	C	an..35
		Free form name and address description.		
Not Used		3124 Name and address line	C	an..35
		Free form name and address description.		
	C080	PARTY NAME	C	
		Identification of a transaction party by name, one to five lines. Party name may be formatted.		
M		3036 Party name	M	an..35
		Name of a party involved in a transaction.		
		3036 Party name	C	an..35
		Name of a party involved in a transaction.		
Not Used		3036 Party name	C	an..35
		Name of a party involved in a transaction.		
Not Used		3036 Party name	C	an..35
		Name of a party involved in a transaction.		
Not Used		3036 Party name	C	an..35
		Name of a party involved in a transaction.		
Not Used		3045 Party name format, coded	C	an..3
		Specification of the representation of a party name. Refer to D.96A Data Element Dictionary for acceptable code values.		
Not Used	C059	STREET	C	
		Street address and/or PO Box number in a structured address: one to three lines.		
Not Used		3042 Street and number/p.o. box	M	an..35
		Street and number in plain language, or Post Office Box No.		
Not Used		3042 Street and number/p.o. box	C	an..35
		Street and number in plain language, or Post Office Box No.		
Not Used		3042 Street and number/p.o. box	C	an..35
		Street and number in plain language, or Post Office Box No.		
Not Used		3042 Street and number/p.o. box	C	an..35
		Street and number in plain language, or Post Office Box No.		

Not Used	3164	CITY NAME Name of a city (a town, a village) for addressing purposes.	C	an..35
Not Used	3229	COUNTRY SUB-ENTITY IDENTIFICATION Identification of the name of sub-entities (state, province) defined by appropriate governmental agencies.	C	an..9
Not Used	3251	POSTCODE IDENTIFICATION Code defining postal zones or addresses.	C	an..9
Not Used	3207	COUNTRY, CODED Identification of the name of a country or other geographical entity as specified in ISO 3166.	C	an..3

Group: **TDT** Segment Group 6: Details of Transport
Position: 0230
Group:
Level: 1
Usage: Conditional (Optional)
Max Use: 1
Purpose: A group of segments specifying details of the mode and means of transport and date/time of departure and destination relevant to the whole despatch advice.

Segment Summary

<u>User</u>	<u>Pos.</u>	<u>Seg.</u>	<u>Name</u>	<u>Req.</u>	<u>Max.</u>	<u>Group:</u>
<u>Attribute</u>	<u>No.</u>	<u>ID</u>		<u>Des.</u>	<u>Use</u>	<u>Repeat</u>
M	0240	TDT	Details of Transport	M		1

Segment: **TDT Details of Transport**
Position: 0240 (Trigger Segment)
Group: Segment Group 6 (Details of Transport) Conditional (Optional)
Level: 1
Usage: Mandatory
Max Use: 1
Purpose: A segment specifying the carriage, and the mode and means of transport of the goods being despatched.

Dependency Notes:

Semantic Notes:

Comments:

Notes: **Notes to Trading Partner**

This segment is used to specify transport services used in the Despatch Advice.

Data Examples

TDT+12+++31+RYDR::182++++:LYS-375:DE'

Data Element Summary

<u>User</u>	<u>Data</u>	<u>Component</u>	<u>Attributes</u>
<u>Attribute</u>	<u>Element</u>	<u>Element</u> <u>Name</u>	<u>an..</u>
M	8051	TRANSPORT STAGE QUALIFIER Qualifier giving a specific meaning to the transport details. 12 At departure Transport by which goods are moved from the place of departure.	M an..3
Not Used	8028	CONVEYANCE REFERENCE NUMBER Unique reference given by the carrier to a certain journey or departure of a means of transport (generic term).	C an..17
Not Used	C220	MODE OF TRANSPORT Method of transport code or name. Code preferred.	C
Not Used	8067	Mode of transport, coded Coded method of transport used for the carriage of the goods.	C an..3
Not Used	8066	Mode of transport Method of transport used for the carriage of the goods.	C an..17
Must Use	C228	TRANSPORT MEANS Code and/or name identifying the type of means of transport.	C
Must Use	8179	Type of means of transport identification Code defining the type of the means of transport being utilized. 6 Aircraft 11 Ship 25 Rail express Description to be provided. 31 Truck	C an..8

Not Used		8178	Type of means of transport	C	an..17
			Description of the type of the means of transport being utilized.		
	C040		CARRIER	C	
			Identification of a carrier by code and/or by name. Code preferred.		
		3127	Carrier identification	C	an..17
			Identification of party undertaking or arranging transport of goods between named points.		
			Notes to Trading Partner:		
			Code identifying the carrier - SCAC code - mandatory for Adient AE NA plants when shipping by truck		
Not Used		1131	Code list qualifier	C	an..3
			Identification of a code list.		
			Refer to D.96A Data Element Dictionary for acceptable code values.		
Must Use		3055	Code list responsible agency, coded	C	an..3
			Code identifying the agency responsible for a code list.		
			182 US, Standard Carrier Alpha Code (Motor)		
			Organisation maintaining the SCAC lists and transportation operating in North America.		
Not Used		3128	Carrier name	C	an..35
			Name of party undertaking or arranging transport of goods between named points.		
Not Used	8101		TRANSIT DIRECTION, CODED	C	an..3
			Identification of the point of origin and point of direction.		
			Refer to D.96A Data Element Dictionary for acceptable code values.		
Not Used	C401		EXCESS TRANSPORTATION INFORMATION	C	
			To provide details of reason for, and responsibility for, use of transportation other than normally utilized.		
Not Used		8457	Excess transportation reason, coded	M	an..3
			Indication of reason for excess transportation.		
			Refer to D.96A Data Element Dictionary for acceptable code values.		
Not Used		8459	Excess transportation responsibility, coded	M	an..3
			Indication of responsibility for excess transportation.		
			Refer to D.96A Data Element Dictionary for acceptable code values.		
Not Used		7130	Customer authorization number	C	an..17
			Customer provided authorization number to allow supplier to ship goods under specific freight conditions. This number will be transmitted back to customer in the dispatch advice message.		
	C222		TRANSPORT IDENTIFICATION	C	
			Code and/or name identifying the means of transport.		
Not Used		8213	Id. of means of transport identification	C	an..9
			Identification of the means of transport by name or number.		
Not Used		1131	Code list qualifier	C	an..3
			Identification of a code list.		
			Refer to D.96A Data Element Dictionary for acceptable code values.		

Not Used	3055	Code list responsible agency, coded	C an..3
		Code identifying the agency responsible for a code list. Refer to D.96A Data Element Dictionary for acceptable code values.	
	8212	Id. of the means of transport	C an..35
		Identification of the means of transport by name or number.	
		Notes to Trading Partner:	
		Code identifying the means of transport - such as a license plate number	
	8453	Nationality of means of transport, coded	C an..3
		Coded name of the country in which a means of transport is registered.	
		Notes to Trading Partner:	
		ISO 3166 two-character alpha code	
Not Used	8281	TRANSPORT OWNERSHIP, CODED	C an..3
		Code indicating the ownership of the means of transport. Refer to D.96A Data Element Dictionary for acceptable code values.	

Group: **EQD** Segment Group 8: Equipment Details
Position: 0290
Group:
Level: 1
Usage: Conditional (Optional)
Max Use: 1
Purpose: A group of segments providing information relative to the equipment used for the transportation of goods relevant to the whole despatch advice.

Segment Summary

<u>User</u>	<u>Pos.</u>	<u>Seg.</u>	<u>Name</u>	<u>Req.</u>	<u>Max.</u>	<u>Group:</u>
<u>Attribute</u>	<u>No.</u>	<u>ID</u>		<u>Des.</u>	<u>Use</u>	<u>Repeat</u>
M	0300	EQD	Equipment Details	M		1

Segment: **EQD** **Equipment Details**
Position: 0300 (Trigger Segment)
Group: Segment Group 8 (Equipment Details) Conditional (Optional)
Level: 1
Usage: Mandatory
Max Use: 1
Purpose: A segment to define fixed information regarding equipment used in conjunction with the whole despatch advice, and if required, to indicate responsibility for supply of the equipment.

Dependency Notes:

Semantic Notes:

Comments:

Notes: **Notes to Trading Partner**

This segment is used to provide information on equipment which will be used in the despatch of the products ordered.

Data Examples

EQD+TE+XYZ123456'

Data Element Summary

<u>User</u>	<u>Data</u>	<u>Component</u>	<u>Name</u>	<u>Attributes</u>
<u>Attribute</u>	<u>Element</u>	<u>Element</u>		
M	8053		EQUIPMENT QUALIFIER Code identifying type of equipment.	M an..3
		CN	Container	
			Equipment item as defined by ISO for transport. It must be of: A) permanent character, strong enough for repeated use; B) designed to facilitate the carriage of goods, by one or more modes of transport, without intermediate reloading; C) fitted with devices for its ready handling, particularly.	
		RR	Rail car	
			[8320] Registered identification number of railway wagon (CIM 19).	
		TE	Trailer	
			A vehicle without motive power, designed for the carriage of cargo and to be towed by a motor vehicle.	
Must Use	C237		EQUIPMENT IDENTIFICATION	C
			Marks (letters and/or numbers) identifying equipment used for transport such as a container.	
Must Use		8260	Equipment identification number	C an..17
			Marks (letters and/or numbers) which identify equipment e.g. unit load device.	
			Notes to Trading Partner:	
			Used to identify the equipment number, such as railcar or trailer number, including initials.	
Not Used		1131	Code list qualifier	C an..3
			Identification of a code list.	
			Refer to D.96A Data Element Dictionary for acceptable code values.	
Not Used		3055	Code list responsible agency, coded	C an..3
			Code identifying the agency responsible for a code list.	
			Refer to D.96A Data Element Dictionary for acceptable code values.	
Not Used		3207	Country, coded	C an..3

			Identification of the name of a country or other geographical entity as specified in ISO 3166.	
Not Used	C224	EQUIPMENT SIZE AND TYPE		C
			Code and/or name identifying size and type of equipment used in transport. Code preferred.	
Not Used	8155	Equipment size and type identification		C an..10
			Coded description of the size and type of equipment e.g. unit load device. Refer to D.96A Data Element Dictionary for acceptable code values.	
Not Used	1131	Code list qualifier		C an..3
			Identification of a code list. Refer to D.96A Data Element Dictionary for acceptable code values.	
Not Used	3055	Code list responsible agency, coded		C an..3
			Code identifying the agency responsible for a code list. Refer to D.96A Data Element Dictionary for acceptable code values.	
Not Used	8154	Equipment size and type		C an..35
			Plain language description of the size and type of equipment e.g. unit load device.	
Not Used	8077	EQUIPMENT SUPPLIER, CODED		C an..3
			To indicate the party that is the supplier of the equipment. Refer to D.96A Data Element Dictionary for acceptable code values.	
Not Used	8249	EQUIPMENT STATUS, CODED		C an..3
			Indication of the action related to the equipment. Refer to D.96A Data Element Dictionary for acceptable code values.	
Not Used	8169	FULL/EMPTY INDICATOR, CODED		C an..3
			To indicate the extent to which the equipment is full or empty. Refer to D.96A Data Element Dictionary for acceptable code values.	

Group: **CPS** Segment Group 10: Consignment Packing Sequence
Position: 0370
Group:
Level: 1
Usage: Conditional (Required)
Max Use: 9999
Purpose: A group of segments providing details of all package levels and of the individual despatched items contained in the consignment. This segment group provides the capability to give the hierarchical packing relationships. The group defines a logical top-down order structure. The lowest level package information of the hierarchy is followed by the detail product information.
Notes: **Notes to Trading Partner:**
 See the "Packaging" section under the "Trading Partner Notes" at the beginning of this DESADV guide for instructions on when to and when not to create SG10 segment groups.

Segment Summary

<u>User</u>	<u>Pos.</u>	<u>Seg.</u>	<u>Name</u>	<u>Req.</u>	<u>Max.</u>	<u>Group:</u>
<u>Attribute</u>	<u>No.</u>	<u>ID</u>		<u>Des.</u>	<u>Use</u>	<u>Repeat</u>
M	0380	CPS	Consignment Packing Sequence	M	1	
	0400		Segment Group 11: Package	C		9999
	0550		Segment Group 15: Line Item	C		9999

Segment: **CPS** **Consignment Packing Sequence**
Position: 0380 (Trigger Segment)
Group: Segment Group 10 (Consignment Packing Sequence) Conditional (Required)
Level: 1
Usage: Mandatory
Max Use: 1
Purpose: A segment identifying the sequence in which packing of the consignment occurs, e.g. boxes loaded onto a pallet.

Dependency Notes:

Semantic Notes:

Comments:

Notes: **Notes to Trading Partner**

This segment is used to identify the sequence in which packing of the consignment occurs.

Data Examples

CPS+1++3'
 CPS+2++1'
 CPS+3++4'

Data Element Summary

<u>User</u>	<u>Data</u>	<u>Component</u>	<u>Name</u>	<u>Attributes</u>
<u>Attribute</u>	<u>Element</u>	<u>Element</u>		
M	7164		HIERARCHICAL ID. NUMBER A unique number assigned by the sender to identify a level within a hierarchical structure. Notes to Trading Partner: Sequential number starting with 1 for the first occurrence of the CPS segment and incrementing by 1 for each subsequent CPS segment.	M an..12
Not Used	7166		HIERARCHICAL PARENT ID. Identification number of the next higher hierarchical data segment in a hierarchical structure.	C an..12
Must Use	7075		PACKAGING LEVEL, CODED Indication of level of packaging specified. 1 Inner Level of packing, if it exists, that is immediately subordinate to the intermediate packaging level. 3 Outer For packed merchandise, outermost level of packaging for a shipment. 4 No packaging hierarchy There is no specifiable level of packaging: packaging is inner and outer level as well.	C an..3

Group: **PAC** Segment Group 11: Package
Position: 0400
Group: Segment Group 10 (Consignment Packing Sequence) Conditional (Required)
Level: 2
Usage: Conditional (Required)
Max Use: 9999
Purpose: A group of segments identifying packaging, physical dimensions, marks and numbers, quantities, date and time information, handling information and information about packing at this level.
Notes: **Notes to Trading Partner:**
 See the "Packaging" section under the "Trading Partner Notes" at the beginning of this DESADV guide for instructions on when to and when not to create SG11 segment groups.

Segment Summary

<u>User</u>	<u>Pos.</u>	<u>Seg.</u>	<u>Name</u>	<u>Req.</u>	<u>Max.</u>	<u>Group:</u>
<u>Attribute</u>	<u>No.</u>	<u>ID</u>		<u>Des.</u>	<u>Use</u>	<u>Repeat</u>
M	0410	PAC	Package	M	1	
Must Use	0430	QTY	Quantity - Per Pack	C	1	
	0470		Segment Group 13: Package Identification	C		1000

Segment: **PAC Package**
Position: 0410 (Trigger Segment)
Group: Segment Group 11 (Package) Conditional (Required)
Level: 2
Usage: Mandatory
Max Use: 1
Purpose: A segment specifying the number and type of the packages/physical units and the physical type of packaging for the despatched goods.

Dependency Notes:

Semantic Notes:

Comments:

Notes:

Notes to Trading Partner

This PAC segment can be used to identify the total number of packages per hierarchical level identified in the CPS segment. The contents of each package are subsequently described in the following LIN segment(s).

Data Examples

PAC+2+:37+AUXPKG::92' Auxiliary packaging for actual packaging material

PAC+2++PACKMAT::92' Actual Packaging Material

Data Element Summary

<u>User</u>	<u>Data</u>	<u>Component</u>	<u>Attributes</u>
<u>Attribute</u>	<u>Element</u>	<u>Element</u>	<u>Name</u>
Must Use	7224		NUMBER OF PACKAGES C n..8 Number of individual parts of a shipment either unpacked, or packed in such a way that they cannot be divided without first undoing the packing. Notes to Trading Partner:
			Amount of handling units with the same packaging material and within the same outer handling unit. If there is no packaging hierarchy then it is the amount of handling units with the same packaging material.
	C531		PACKAGING DETAILS C Packaging level and details, terms and conditions.
Not Used		7075	Packaging level, coded C an..3 Indication of level of packaging specified. Refer to D.96A Data Element Dictionary for acceptable code values.
		7233	Packaging related information, coded C an..3 Code giving packaging, handling and marking related information. 37 Package protection
Not Used		7073	Packaging terms and conditions, coded C an..3 Code identifying packaging terms and conditions. Refer to D.96A Data Element Dictionary for acceptable code values.
Must Use	C202		PACKAGE TYPE C Type of package by name or by code from a specified source.

Must Use		7065	Type of packages identification Coded description of the form in which goods are presented. Notes to Trading Partner: Packaging type - this should be the Adient packaging type specified in the DELFOR.	C	an..17
Not Used		1131	Code list qualifier Identification of a code list. Refer to D.96A Data Element Dictionary for acceptable code values.	C	an..3
Must Use		3055	Code list responsible agency, coded Code identifying the agency responsible for a code list. 92 Assigned by buyer or buyer's agent	C	an..3
Not Used		7064	Type of packages Description of the form in which goods are presented.	C	an..35
Not Used	C402		PACKAGE TYPE IDENTIFICATION Identification of the form in which goods are described.	C	
Not Used		7077	Item description type, coded Code indicating the format of a description. Refer to D.96A Data Element Dictionary for acceptable code values.	M	an..3
Not Used		7064	Type of packages Description of the form in which goods are presented.	M	an..35
Not Used		7143	Item number type, coded Identification of the type of item number. Refer to D.96A Data Element Dictionary for acceptable code values.	C	an..3
Not Used		7064	Type of packages Description of the form in which goods are presented.	C	an..35
Not Used		7143	Item number type, coded Identification of the type of item number. Refer to D.96A Data Element Dictionary for acceptable code values.	C	an..3
Not Used	C532		RETURNABLE PACKAGE DETAILS Indication of responsibility for payment and load contents of returnable packages.	C	
Not Used		8395	Returnable package freight payment responsibility, coded To indicate responsibility for payment of return freight charges for packaging that is returnable. Refer to D.96A Data Element Dictionary for acceptable code values.	C	an..3
Not Used		8393	Returnable package load contents, coded To indicate the composition of goods loaded into a returnable package. Refer to D.96A Data Element Dictionary for acceptable code values.	C	an..3

Segment: **QTY** Quantity - Per Pack
Position: 0430
Group: Segment Group 11 (Package) Conditional (Required)
Level: 3
Usage: Conditional (Required)
Max Use: 1
Purpose: A segment to specify the quantity per package described in the PAC segment.

Dependency Notes:

Semantic Notes:

Comments:

Notes:

Notes to Trading Partner

This segment is used to specify the quantity of the product identified in the LIN segment(s) which has been despatched.

If a single handling unit contains multiple materials, then the quantity to be sent in this segment is the sum total of each different material quantity in the handling unit.

This segment is mandatory for inner packaging (S-Label).

Data element 6411 must contain the same unit of measure as that sent in the corresponding shipment authorization document.

Data Examples

QTY+52:400:PCE'

Data Element Summary

User	Data	Component		
<u>Attribute</u>	<u>Element</u>	<u>Element</u>	<u>Name</u>	<u>Attributes</u>
M	C186		QUANTITY DETAILS	M
			Quantity information in a transaction, qualified when relevant.	
M		6063	Quantity qualifier	M an..3
			Code giving specific meaning to a quantity.	
			52 Quantity per pack	
M		6060	Quantity	M n..15
			Numeric value of a quantity.	
Must Use		6411	Measure unit qualifier	C an..3
			Indication of the unit of measurement in which weight (mass), capacity, length, area, volume or other quantity is expressed.	
			Notes to Trading Partner:	
			This element must contain the same value as that sent in the shipment authorization document.	

Group: **PCI** Segment Group 13: Package Identification
Position: 0470
Group: Segment Group 11 (Package) Conditional (Required)
Level: 3
Usage: Conditional (Required)
Max Use: 1000
Purpose: A group of segments specifying markings, labels, and packing numbers.
Notes: **Notes to Trading Partner:**

See the "Packaging" section under the "Trading Partner Notes" at the beginning of this DESADV guide for instructions on when to create SG13 segment groups.

Segment Summary

<u>User</u> <u>Attribute</u>	<u>Pos.</u> <u>No.</u>	<u>Seg.</u> <u>ID</u>	<u>Name</u>	<u>Req.</u> <u>Des.</u>	<u>Max.</u> <u>Use</u>	<u>Group:</u> <u>Repeat</u>
M	0480	PCI	Package Identification	M	1	
	0490	RFF	Reference - Master Label Number	C	1	
M	0510	GIR	Related Identification Numbers	M	99	

			Code to identify whether goods of separate description or comprising separate consignments are contained in the same external packaging or to indicate that a container or similar unit load device is empty. Refer to D.96A Data Element Dictionary for acceptable code values.
Not Used	C827	TYPE OF MARKING	C
			Specification of the type of marking that reflects the method that was used and the conventions adhered to for marking (e.g. of packages).
Not Used	7511	Type of marking, coded	M an..3
			To specify the type of marking that reflects the method and the conventions adhered to for marking.
Not Used	1131	Code list qualifier	C an..3
			Identification of a code list. Refer to D.96A Data Element Dictionary for acceptable code values.
Not Used	3055	Code list responsible agency, coded	C an..3
			Code identifying the agency responsible for a code list. Refer to D.96A Data Element Dictionary for acceptable code values.

Segment: **RFF Reference - Master Label Number**
Position: 0490
Group: Segment Group 13 (Package Identification) Conditional (Required)
Level: 4
Usage: Conditional (Optional)
Max Use: 1
Purpose: A segment for referencing the package identification e.g. master label number.
Dependency Notes:
Semantic Notes:
Comments:
Notes: **Notes to Trading Partner**

This segment is used to specify any references which relate to the package identification, e.g., master label number.

This segment is mandatory for every inner package for which an outer package exists. The number must be equal to the number transmitted in the second occurrence of the GIR_C206_7402 element for the outer package.

Data Examples
RFF+AAT:00123477'

Data Element Summary

<u>User Attribute</u>	<u>Data Element</u>	<u>Component Element</u>	<u>Name</u>	<u>Attributes</u>
M	C506		REFERENCE	M
			Identification of a reference.	
M		1153	Reference qualifier	M an..3
			Code giving specific meaning to a reference segment or a reference number.	
			AAT Master label number	
			Identifies the master label number of any package type.	
Must Use		1154	Reference number	C an..35
			Identification number the nature and function of which can be qualified by an entry in data element 1153 Reference qualifier.	
Not Used		1156	Line number	C an..6
			Number of the line in the document/message referenced in 1154 Reference number.	
Not Used		4000	Reference version number	C an..35
			To uniquely identify a reference by its revision number.	

Segment: **GIR** **Related Identification Numbers**
Position: 0510
Group: Segment Group 13 (Package Identification) Conditional (Required)
Level: 4
Usage: Mandatory
Max Use: 99
Purpose: A segment providing set of package identification related numbers, e.g. a package label number and a KANBAN card number assigned to the same package.

Dependency Notes:
Semantic Notes:
Comments:
Notes:

Notes to Trading Partner

This segment is used to provide identification numbers relevant to the packaging unit and level identified in the PAC segment. Label number shall not be repeated within 5

Data Examples

GIR+3+999999999+012345678+UN+1J'
 GIR+3+999999999+987654321+UN+5J'
 GIR+3+999999999+200000001+UN+6J'

Data Element Summary

<u>User</u>	<u>Data</u>	<u>Component</u>	<u>Name</u>	<u>Attributes</u>
<u>Attribute</u>	<u>Element</u>	<u>Element</u>		
M	7297		SET IDENTIFICATION QUALIFIER Identification of the type of set. 3 Package Related numbers identifying a package such as a bar code label number related to a kanban card number, etc.	M an..3
M	C206		IDENTIFICATION NUMBER The identification of an object.	M
M		7402	Identity number A value given to an object for identification purposes.	M an..35
			Notes to Trading Partner: Trading partner DUNS as printed in License Plate section of the label	
Not Used		7405	Identity number qualifier Code specifying the type/source of identity number. Refer to D.96A Data Element Dictionary for acceptable code values.	C an..3
Not Used		4405	Status, coded Provides information regarding a status. Refer to D.96A Data Element Dictionary for acceptable code values.	C an..3
Must Use	C206		IDENTIFICATION NUMBER The identification of an object.	C

M		7402	Identity number A value given to an object for identification purposes. Notes to Trading Partner: Handling Unit Number as printed in License Plate section of the label. Shall not be repeated within 5 years.	M	an..35
Not Used		7405	Identity number qualifier Code specifying the type/source of identity number. Refer to D.96A Data Element Dictionary for acceptable code values.	C	an..3
Not Used		4405	Status, coded Provides information regarding a status. Refer to D.96A Data Element Dictionary for acceptable code values.	C	an..3
Must Use	C206		IDENTIFICATION NUMBER The identification of an object.	C	
M		7402	Identity number A value given to an object for identification purposes. Notes to Trading Partner: Agency Code as printed in License Plate section of the label UN UN/ECE/TRADE/WP	M	an..35
Not Used		7405	Identity number qualifier Code specifying the type/source of identity number. Refer to D.96A Data Element Dictionary for acceptable code values.	C	an..3
Not Used		4405	Status, coded Provides information regarding a status. Refer to D.96A Data Element Dictionary for acceptable code values.	C	an..3
Must Use	C206		IDENTIFICATION NUMBER The identification of an object.	C	
M		7402	Identity number A value given to an object for identification purposes. Notes to Trading Partner: Type of Handling Unit as defined in ISO/IEC 15459.1 1J = Inner Handling Unit/Simple Unit (S-Label) 5J = Outer Handling Unit with mixed content (G-Label) 6J = Outer Handling Unit with homogeneous content (M-Label)	M	an..35
Not Used		7405	Identity number qualifier Code specifying the type/source of identity number. Refer to D.96A Data Element Dictionary for acceptable code values.	C	an..3
Not Used		4405	Status, coded Provides information regarding a status. Refer to D.96A Data Element Dictionary for acceptable code values.	C	an..3
Not Used	C206		IDENTIFICATION NUMBER The identification of an object.	C	
Not Used		7402	Identity number A value given to an object for identification purposes.	M	an..35

Not Used	7405	Identity number qualifier Code specifying the type/source of identity number. Refer to D.96A Data Element Dictionary for acceptable code values.	C	an..3
Not Used	4405	Status, coded Provides information regarding a status. Refer to D.96A Data Element Dictionary for acceptable code values.	C	an..3

Group: **LIN** Segment Group 15: Line Item
Position: 0550
Group: Segment Group 10 (Consignment Packing Sequence) Conditional (Required)
Level: 2
Usage: Conditional (Required)
Max Use: 9999
Purpose: A group of segments providing details of the individual despatched items.
Notes: **Notes to Trading Partner:**

See the "Packaging" section under the "Trading Partner Notes" at the beginning of this DESADV guide for instructions on when to and when not to create SG15 segment groups.

Segment Summary

<u>User</u>	<u>Pos.</u>	<u>Seg.</u>		<u>Req.</u>	<u>Max.</u>	<u>Group:</u>
<u>Attribute</u>	<u>No.</u>	<u>ID</u>	<u>Name</u>	<u>Des.</u>	<u>Use</u>	<u>Repeat</u>
M	0560	LIN	Line Item	M	1	
	0570	PIA	Additional Product Id	C	1	
	0600	QTY	Quantity - Cumulative Despatch Quantity	C	1	
Must Use	0600	QTY	Quantity - Discrete Despatch Quantity	C	1	
	0610	ALI	Additional Information - Country of Origin	C	1	
	0620	GIN	Goods Identity Number - Batch Number	C	1	
	0680		Segment Group 16: Reference - Purchase Order Number	C		1

Segment: **LIN** Line Item
Position: 0560 (Trigger Segment)
Group: Segment Group 15 (Line Item) Conditional (Required)
Level: 2
Usage: Mandatory
Max Use: 1
Purpose: A segment identifying the product being despatched.
 All other segments in the detail section following the LIN segment refer to that line item.

Dependency Notes:

Semantic Notes:

Comments:

Notes:

Notes to Trading Partner

This segment is used to identify the line item being despatched.

This segment is mandatory for CPS loops with with no packaging hierarchy or for CPS inner packaging loops. It must not be included for CPS outer packaging loops.

Data Examples

LIN+++12345678:IN'

Data Element Summary

<u>User Attribute</u>	<u>Data Element</u>	<u>Component Element</u>	<u>Name</u>	<u>Attributes</u>
	1082		LINE ITEM NUMBER Serial number designating each separate item within a series of articles.	C n..6
Not Used	1229		ACTION REQUEST/NOTIFICATION, CODED Code specifying the action to be taken or already taken. Refer to D.96A Data Element Dictionary for acceptable code values.	C an..3
Must Use	C212		ITEM NUMBER IDENTIFICATION Goods identification for a specified source.	C
Must Use		7140	Item number A number allocated to a group or item.	C an..35
Must Use		7143	Item number type, coded Identification of the type of item number. IN Buyer's item number	C an..3
Not Used		1131	Code list qualifier Identification of a code list. Refer to D.96A Data Element Dictionary for acceptable code values.	C an..3
Not Used		3055	Code list responsible agency, coded Code identifying the agency responsible for a code list. Refer to D.96A Data Element Dictionary for acceptable code values.	C an..3
Not Used	C829		SUB-LINE INFORMATION To provide an indication that a segment or segment group is used to contain sub-line or sub-line item information and to optionally enable the sub-line to be identified.	C
Not Used		5495	Sub-line indicator, coded Indication that the segment and/or segment group is used for sub-line item information. Refer to D.96A Data Element Dictionary for acceptable code values.	C an..3

Not Used	1082	Line item number Serial number designating each separate item within a series of articles.	C n..6
Not Used	1222	CONFIGURATION LEVEL Number indicating the level of an object which is in a hierarchy.	C n..2
Not Used	7083	CONFIGURATION, CODED Code indicating the status of the sub-line item in the configuration. Refer to D.96A Data Element Dictionary for acceptable code values.	C an..3

Segment: **PIA** Additional Product Id
Position: 0570
Group: Segment Group 15 (Line Item) Conditional (Required)
Level: 3
Usage: Conditional (Optional)
Max Use: 1
Purpose: A segment providing additional product identification.
Dependency Notes:
Semantic Notes:
Comments:
Notes: **Notes to Trading Partner**

This segment is used to transmit the supplier's article number, the engineering change level, or a heat code when shipping rolled steel (steel coils).
 If shipping rolled steel, the PIA segment with the heat code information is mandatory.
 This segment is usually optional if not shipping rolled steel. The Adient plant will inform you if the supplier's article number or the engineering change level must be transmitted.

Data Examples
 PIA+1+115878:SA+001:EC+12345:AP'
 PIA+1+001:EC+12345:AP'
 PIA+1+115878:SA'
 PIA+1+001:EC'
 PIA+1+12345:AP'

Data Element Summary

<u>User</u>	<u>Data</u>	<u>Component</u>	<u>Name</u>	<u>Attributes</u>
<u>Attribute</u>	<u>Element</u>	<u>Element</u>		
M	4347		PRODUCT ID. FUNCTION QUALIFIER Indication of the function of the product code. 1 Additional identification Information which specifies and qualifies product identifications.	M an..3
M	C212		ITEM NUMBER IDENTIFICATION Goods identification for a specified source.	M
Must Use		7140	Item number A number allocated to a group or item.	C an..35
			Notes to Trading Partner: One of the following: - supplier's article number - engineering change level - heat code	
Must Use		7143	Item number type, coded Identification of the type of item number. Notes to Trading Partner: AP = Commission Number (Heat number) - rolled steel AP Heat number Number assigned to the heat (also known as the iron charge) for the production of steel products. EC Engineering change level Reference number indicating that a change or revision has been applied to an article's specification.	C an..3

		SA	Supplier's article number Number assigned to an article by the supplier of that article.	
Not Used	1131	Code list qualifier		C an..3
			Identification of a code list. Refer to D.96A Data Element Dictionary for acceptable code values.	
Not Used	3055	Code list responsible agency, coded		C an..3
			Code identifying the agency responsible for a code list. Refer to D.96A Data Element Dictionary for acceptable code values.	
	C212	ITEM NUMBER IDENTIFICATION		C
			Goods identification for a specified source.	
Must Use	7140	Item number		C an..35
			A number allocated to a group or item.	
		Notes to Trading Partner:		
		One of the following:		
		- supplier's article number		
		- engineering change level		
		- heat code		
Must Use	7143	Item number type, coded		C an..3
			Identification of the type of item number.	
		AP	Heat number Number assigned to the heat (also known as the iron charge) for the production of steel products.	
		EC	Engineering change level Reference number indicating that a change or revision has been applied to an article's specification.	
		SA	Supplier's article number Number assigned to an article by the supplier of that article.	
Not Used	1131	Code list qualifier		C an..3
			Identification of a code list. Refer to D.96A Data Element Dictionary for acceptable code values.	
Not Used	3055	Code list responsible agency, coded		C an..3
			Code identifying the agency responsible for a code list. Refer to D.96A Data Element Dictionary for acceptable code values.	
	C212	ITEM NUMBER IDENTIFICATION		C
			Goods identification for a specified source.	

Must Use	7140	Item number A number allocated to a group or item. Notes to Trading Partner: One of the following: - supplier's article number - engineering change level - heat code	C	an..35
Must Use	7143	Item number type, coded Identification of the type of item number. AP Heat number Number assigned to the heat (also known as the iron charge) for the production of steel products. EC Engineering change level Reference number indicating that a change or revision has been applied to an article's specification. SA Supplier's article number Number assigned to an article by the supplier of that article.	C	an..3
Not Used	1131	Code list qualifier Identification of a code list. Refer to D.96A Data Element Dictionary for acceptable code values.	C	an..3
Not Used	3055	Code list responsible agency, coded Code identifying the agency responsible for a code list. Refer to D.96A Data Element Dictionary for acceptable code values.	C	an..3
Not Used	C212	ITEM NUMBER IDENTIFICATION Goods identification for a specified source.	C	
Not Used	7140	Item number A number allocated to a group or item.	C	an..35
Not Used	7143	Item number type, coded Identification of the type of item number. Refer to D.96A Data Element Dictionary for acceptable code values.	C	an..3
Not Used	1131	Code list qualifier Identification of a code list. Refer to D.96A Data Element Dictionary for acceptable code values.	C	an..3
Not Used	3055	Code list responsible agency, coded Code identifying the agency responsible for a code list. Refer to D.96A Data Element Dictionary for acceptable code values.	C	an..3
Not Used	C212	ITEM NUMBER IDENTIFICATION Goods identification for a specified source.	C	
Not Used	7140	Item number A number allocated to a group or item.	C	an..35
Not Used	7143	Item number type, coded Identification of the type of item number. Refer to D.96A Data Element Dictionary for acceptable code values.	C	an..3
Not Used	1131	Code list qualifier Identification of a code list. Refer to D.96A Data Element Dictionary for acceptable code values.	C	an..3
Not Used	3055	Code list responsible agency, coded Code identifying the agency responsible for a code list. Refer to D.96A Data Element Dictionary for acceptable code values.	C	an..3

Code identifying the agency responsible for a code list.
Refer to D.96A Data Element Dictionary for acceptable code values.

Segment: **QTY** **Quantity - Cumulative Despatch Quantity**
Position: 0600
Group: Segment Group 15 (Line Item) Conditional (Required)
Level: 3
Usage: Conditional (Optional)
Max Use: 1
Purpose: A segment to give quantity information concerning the product.
Dependency Notes:
Semantic Notes:
Comments:
Notes: **Notes to Trading Partner**

This segment is used to specify the cumulative quantity of the product identified in the LIN segment which has been despatched since the cumulative quantity start date. **Data**

Examples

QTY+3:1200:PCE'

Data Element Summary

<u>User</u>	<u>Data</u>	<u>Component</u>	<u>Name</u>	<u>Attributes</u>
<u>Attribute</u>	<u>Element</u>	<u>Element</u>		
M	C186		QUANTITY DETAILS Quantity information in a transaction, qualified when relevant.	M
M		6063	Quantity qualifier Code giving specific meaning to a quantity. 3 Cumulative quantity	M an..3
M		6060	Quantity Numeric value of a quantity.	M n..15
Must Use		6411	Measure unit qualifier Indication of the unit of measurement in which weight (mass), capacity, length, area, volume or other quantity is expressed. Notes to Trading Partner: Send the same unit of measure as that which was sent in the corresponding shipment authorization document.	C an..3

Segment: **QTY** Quantity - Discrete Despatch Quantity
Position: 0600
Group: Segment Group 15 (Line Item) Conditional (Required)
Level: 3
Usage: Conditional (Required)
Max Use: 1
Purpose: A segment to give quantity information concerning the product.
Dependency Notes:
Semantic Notes:
Comments:
Notes: **Notes to Trading Partner**

This segment is used to specify the discrete quantity of the product identified in the LIN segment which has been despatched.

Data Examples

QTY+12:400:PCE'

Data Element Summary

User	Data	Component		
<u>Attribute</u>	<u>Element</u>	<u>Element</u>	<u>Name</u>	<u>Attributes</u>
M	C186		QUANTITY DETAILS Quantity information in a transaction, qualified when relevant.	M
M		6063	Quantity qualifier Code giving specific meaning to a quantity. 12 Despatch quantity Quantity despatched by the seller.	M an..3
M		6060	Quantity Numeric value of a quantity.	M n..15
Must Use		6411	Measure unit qualifier Indication of the unit of measurement in which weight (mass), capacity, length, area, volume or other quantity is expressed. Notes to Trading Partner: Send the same unit of measure as that which was sent in the corresponding shipment authorization document.	C an..3

Segment: **ALI Additional Information - Country of Origin**
Position: 0610
Group: Segment Group 15 (Line Item) Conditional (Required)
Level: 3
Usage: Conditional (Optional)
Max Use: 1
Purpose: A segment indicating that the line item is subject to special conditions due to origin, customs preference, or commercial factors.

Dependency Notes:

Semantic Notes:

Comments:

Notes: **Notes to Trading Partner**

This segment is used to indicate the country of origin of the shipment.

Data Examples

ALI+DE'
 ALI+US'
 ALI+MX'

Data Element Summary

<u>User</u>	<u>Data</u>	<u>Component</u>	<u>Name</u>	<u>Attributes</u>
<u>Attribute</u>	<u>Element</u>	<u>Element</u>		
Must Use	3239		COUNTRY OF ORIGIN, CODED	C an..3
			Country in which the goods have been produced or manufactured, according to criteria laid down for the purposes of application of the Customs tariff, of quantitative restrictions, or of any other measure related to trade.	
			Notes to Trading Partner:	
			ISO 3166 2-character country code	
Not Used	9213		TYPE OF DUTY REGIME, CODED	C an..3
			Identification of the statement of the full/preferential regime according to which duty is assessed.	
			Refer to D.96A Data Element Dictionary for acceptable code values.	
Not Used	4183		SPECIAL CONDITIONS, CODED	C an..3
			Indication of a specific condition.	
			Refer to D.96A Data Element Dictionary for acceptable code values.	
Not Used	4183		SPECIAL CONDITIONS, CODED	C an..3
			Indication of a specific condition.	
			Refer to D.96A Data Element Dictionary for acceptable code values.	
Not Used	4183		SPECIAL CONDITIONS, CODED	C an..3
			Indication of a specific condition.	
			Refer to D.96A Data Element Dictionary for acceptable code values.	
Not Used	4183		SPECIAL CONDITIONS, CODED	C an..3
			Indication of a specific condition.	
			Refer to D.96A Data Element Dictionary for acceptable code values.	

Segment: **GIN** Goods Identity Number - Batch Number
Position: 0620
Group: Segment Group 15 (Line Item) Conditional (Required)
Level: 3
Usage: Conditional (Optional)
Max Use: 1
Purpose: A segment providing identity numbers of the goods being despatched, e.g. serial numbers for assembled equipment.

Dependency Notes:

Semantic Notes:

Comments:

Notes:

Notes to Trading Partner

This segment is used to transmit the batch number for the ship material. The Adient plant will inform their supplier if the batch number must be transmitted.

If batch number information is not required to be sent in the Despatch Advice, then do not send this segment.

Data Examples

GN+BX+123456'

Data Element Summary

<u>User</u>	<u>Data</u>	<u>Component</u>	<u>Name</u>	<u>Attributes</u>
<u>Attribute</u>	<u>Element</u>	<u>Element</u>		
M	7405		IDENTITY NUMBER QUALIFIER Code specifying the type/source of identity number. BX Batch number Unique number affixed by manufacturer to a batch of products produced under similar conditions.	M an..3
M	C208		IDENTITY NUMBER RANGE Goods item identification numbers, start and end of consecutively numbered range.	M
M		7402	Identity number A value given to an object for identification purposes.	M an..10
Not Used		7402	Identity number A value given to an object for identification purposes.	C an..35
Not Used	C208		IDENTITY NUMBER RANGE Goods item identification numbers, start and end of consecutively numbered range.	C
Not Used		7402	Identity number A value given to an object for identification purposes.	M an..35
Not Used		7402	Identity number A value given to an object for identification purposes.	C an..35
Not Used	C208		IDENTITY NUMBER RANGE Goods item identification numbers, start and end of consecutively numbered range.	C
Not Used		7402	Identity number A value given to an object for identification purposes.	M an..35
Not Used		7402	Identity number A value given to an object for identification purposes.	C an..35

Not Used	C208	IDENTITY NUMBER RANGE	C	
		Goods item identification numbers, start and end of consecutively numbered range.		
Not Used	7402	Identity number	M	an..35
		A value given to an object for identification purposes.		
Not Used	7402	Identity number	C	an..35
		A value given to an object for identification purposes.		
Not Used	C208	IDENTITY NUMBER RANGE	C	
		Goods item identification numbers, start and end of consecutively numbered range.		
Not Used	7402	Identity number	M	an..35
		A value given to an object for identification purposes.		
Not Used	7402	Identity number	C	an..35
		A value given to an object for identification purposes.		

Group: **RFF** Segment Group 16: Reference - Purchase Order Number
Position: 0680
Group: Segment Group 15 (Line Item) Conditional (Required)
Level: 3
Usage: Conditional (Required)
Max Use: 1
Purpose: A group of segments to give reference numbers and dates.

Segment Summary

<u>User</u>	<u>Pos.</u>	<u>Seg.</u>	<u>Name</u>	<u>Req.</u>	<u>Max.</u>	<u>Group:</u>
<u>Attribute</u>	<u>No.</u>	<u>ID</u>		<u>Des.</u>	<u>Use</u>	<u>Repeat</u>
M	0690	RFF	Reference - Purchase Order Number	M	1	

Segment: **RFF Reference - Purchase Order Number**
Position: 0690 (Trigger Segment)
Group: Segment Group 16 (Reference - Purchase Order Number) Conditional (Required)
Level: 3
Usage: Mandatory
Max Use: 1
Purpose: A segment identifying documents related to the line item.
Dependency Notes:
Semantic Notes:
Comments:
Notes: **Notes to Trading Partner**

This segment is used to specify any references which are for the line item only.

An RFF segment with the PO number and PO line number must be sent for each item in the Despatch Advice.

Data Examples

RFF+ON:51523:00010'

RFF+ON:55050001:12'

Data Element Summary

<u>User</u>	<u>Data</u>	<u>Component</u>	<u>Name</u>	<u>Attributes</u>
<u>Attribute</u>	<u>Element</u>	<u>Element</u>		
M	C506		REFERENCE Identification of a reference.	M
M		1153	Reference qualifier Code giving specific meaning to a reference segment or a reference number. ON Order number (purchase) [1022] Reference number assigned by the buyer to an order.	M an..3
Must Use		1154	Reference number Identification number the nature and function of which can be qualified by an entry in data element 1153 Reference qualifier.	C an..35
Must Use		1156	Line number Number of the line in the document/message referenced in 1154 Reference number.	C an..6
Not Used		4000	Reference version number To uniquely identify a reference by its revision number.	C an..35

Notes to Trading Partner:

Adient PO number

Adient PO line number

Segment: **UNT** Message Trailer
Position: 0990
Group:
Level: 0
Usage: Mandatory
Max Use: 1
Purpose: A service segment ending a message, giving the total number of segments in the message and the control reference number of the message.

Dependency Notes:

Semantic Notes:

Comments:

Notes: **Notes to Trading Partner**

The UNT segment is a mandatory UN/EDIFACT segment. This segment ends the DESADV message.

Data Examples

UNT+45+100000001'

Data Element Summary

<u>User</u>	<u>Data</u>	<u>Component</u>	<u>Name</u>	<u>Attributes</u>
<u>Attribute</u>	<u>Element</u>	<u>Element</u>		
M	0074		NUMBER OF SEGMENTS IN A MESSAGE Control count of number of segments in a message. Notes to Trading Partner: The total number of segments in the message from the UNH segment to the UNT segment. The UNH and UNT segments are included in the count.	M n..6
M	0062		MESSAGE REFERENCE NUMBER Unique message reference assigned by the sender. Notes to Trading Partner: This should be the same value as that sent in the UNH_0062 element.	M an..14

Despatch Advice Examples

Example 1 – One material in one box, no hierarchical packaging structure

UNB+UNOA:3+SENDER:SENDER QLF+118713197:01+140509:0737+183'
UNH+230+DESADV:D:96A:UN'
BGM+351+987654+9'
DTM+137:201405090737:203'
DTM+11:201405090734:203'
DTM+132:201405131700:203'
MEA+AAX+AAD+LB:24'
RFF+AAJ:050814T1204605'
RFF+BM:BOL12345'
NAD+CN+0605::92++JCIM SOUTHVIEW'
LOC+11+DOCK123'
NAD+SE+322429::92++SELLER NAME'
NAD+CZ+0968060::92++CONSIGNOR NAME'
TDT+12+++31+RYDR::182+++::GDA-006:US'
EQD+TE+6641WX37'
CPS+1++4'
PAC+1++BOX::92'
QTY+52:30:EA'
PCI+17'
GIR+3+999999999+012345678+UN+1J'
LIN+++11821013:IN'
PIA+1+115878:SA+001:EC'
QTY+3:990:EA'
QTY+12:30:EA'
ALI+US'
GIN+BX+BATCH1'
RFF+ON:55044814:15'
UNT+27+230'
UNZ+1+183'

Example 2 – One material in three boxes, same quantity in each box, no hierarchical packaging structure

UNB+UNOA:3+SENDER+O0013007096JCIGXS 0711+140509:1708+183'
UNH+230+DESADV:D:96A:UN'
BGM+351+00365493+9'
DTM+137:201405091708:203'
DTM+11:20140509702:203'
DTM+132:201405121702:203'
MEA+AAX+AAD+KGM:72'
RFF+AAJ:011012345678'
RFF+BM: 00365493'
NAD+CZ+0968060::92++CONSIGNOR NAME'
NAD+SE+310968::92++SELLER NAME'
NAD+CN+0110::92++ADIENT BOCHUM'
EQD+TE+6641 WX 38'
CPS+1++4'
PAC+3++BOX::92'
QTY+52:30:PCE'
PCI+17'
GIR+3+999999999+000000001+UN+1J'
PCI+17'
GIR+3+999999999+000000002+UN+1J'
PCI+17'
GIR+3+999999999+000000003+UN+1J'
LIN+++11821013:IN'
PIA+1+115878:SA+001:EC '
QTY+3:990:PCE'
QTY+12:90:PCE'
ALI+DE'
GIN+BX+BATCH1'
RFF+ON:395312:00010'
UNT+29+230'
UNZ+1+183'

Example 3 – One material in two boxes, different quantities in each box, no hierarchical packaging structure:

UNB+UNOA:3+SENDER+O0013007096JCIGXS 0113+140509:0010+183'
UNH+230+DESADV:D:96A:UN'
BGM+351+63919385+9'
DTM+137:201405090010:203'
DTM+11:201405090001:203'
DTM+132:201405091429:203'
MEA+AAX+AAD+KGM:48'
RFF+AAJ:011012345678'
RFF+BM: BOL33213'
NAD+CZ+0968060::92++CONSIGNOR NAME'
NAD+SE+357407::92++SELLER NAME'
NAD+CN+0110::92++ADIENT BOCHUM'
EQD+TE+6641WX39'
CPS+1++4'
PAC+1++BOX::92'
QTY+52:30:PCE'
PCI+17'
GIR+3+999999999+000000001+UN+1J'
PAC+1++BOX::92'
QTY+52:20:PCE'
PCI+17'
GIR+3+999999999+000000002+UN+1J'
LIN+++11821013:IN'
PIA+1+115878:SA+001:EC '
QTY+3:990:PCE'
QTY+12:50:PCE'
ALI+DE'
GIN+BX+BATCH1'
RFF+ON:395312:00010'
UNT+25+230'
UNZ+1+183'

Example 4 – One material in three boxes on the same pallet

UNB+UNOA:3+SENDER:SENDER QLF+ 933855322:01+140509:1018+184'
UNH+231+DESADV:D:96A:UN'
BGM+351+4313946+9'
DTM+137:201405091018:203'
DTM+11:201405091015:203'
DTM+132:201405141200:203'
MEA+AAX+AAD+KGM:80'
RFF+BM: 4313946'
NAD+CZ+742965::92++CONSIGNOR NAME'
NAD+SE+322024::92++SELLER NAME'
NAD+CN+1226::92++ADIENT COTTONDALE'
TDT+12+++31+RDWY::182+++::HJB-209:US'
EQD+TE+CM503429'
CPS+1++3'
PAC+1++PALLET::92'
PCI+17'
GIR+3+999999999+000000001+UN+6J'
CPS+2++1'
PAC+3++BOX::92'
QTY+52:100:EA'
PCI+17'
RFF+AAT:000000001'
GIR+3+999999999+000000002+UN+1J'
PCI+17'
RFF+AAT:000000001'
GIR+3+999999999+000000003+UN+1J'
PCI+17'
RFF+AAT:000000001'
GIR+3+999999999+000000004+UN+1J'
LIN+++1225430:IN'
QTY+3:6000:EA'
QTY+12:300:EA'
ALI+US'
RFF+ON:55050877:124'
UNT+34+231'
UNZ+1+184'

Example 5 – Two materials: one material in three boxes, the other material in one box, both on the same pallet

UNB+UNOA:3+SENDER+O0013007096JCIGXS 0711+140509:1344+0000000654'
UNH+6541+DESADV:D:96A:UN'
BGM+351+AD7043229+9'
DTM+137:201405091344:203'
DTM+11:201405091343:203'
DTM+132:201405091830:203'
MEA+AAX+AAD+KGM:120'
RFF+BM: BOL33332'
NAD+CZ+0968060::92++CONSIGNOR NAME'
NAD+SE+310968::92++SELLER NAME'
NAD+CN+0110::92++ADIENT BOCHUM'
EQD+TE+6641 WX 40'
CPS+1++3'
PAC+1++PALLET::92'
PCI+17'
GIR+3+999999999+000000001+UN+5J'
CPS+2++1'
PAC+3++BOX1::92'
QTY+52:30:PCE'
PCI+17'
RFF+AAT:000000001'
GIR+3+999999999+000000002+UN+1J'
PCI+17'
RFF+AAT:000000001'
GIR+3+999999999+000000003+UN+1J'
PCI+17'
RFF+AAT:000000001'
GIR+3+999999999+000000004+UN+1J'
LIN+++11821013:IN'
QTY+3:990:PCE'
QTY+12:90:PCE'
ALI+DE'
GIN+BX+BATCH1'
RFF+ON:395312:00010'
CPS+3++1'
PAC+1++BOX2::92'
QTY+52:40:PCE'
PCI+17'
RFF+AAT:000000001'
GIR+3+999999999+000000005+UN+1J'
LIN+++11821014:IN'
PIA+1+115877:SA+001:EC+123456-1:AP '
QTY+3:1000:PCE'
QTY+12:40:PCE'
ALI+DE'
GIN+BX+BATCH2'
RFF+ON:395312:00020'

UNT+47+6541'
UNZ+1+0000000654'

Example 6 – Two materials: one material in three boxes, the other material in one box, on different pallets

UNB+UNOA:3+SENDER+O0013007096JCIGXS 0711+140606:1708+183'
UNH+230+DESADV:D:96A:UN'
BGM+351+9301+9'
DTM+137:201406061708:203'
DTM+11:201406061702:203'
DTM+132:201406061902:203'
MEA+AAX+AAD+KGM:140'
RFF+AAJ:011012345678'
RFF+BM: BOL33332'
NAD+CZ+0968060::92++CONSIGNOR NAME'
NAD+SE+310968::92++SELLER NAME'
NAD+CN+0110::92++ADIENT BOCHUM'
EQD+TE+6641 WX 41'
CPS+1++3'
PAC+1++PALLET1::92'
PCI+17'
GIR+3+999999999+000000001+UN+6J'
CPS+2++1'
PAC+3++BOX::92'
QTY+52:30:PCE'
PCI+17'
RFF+AAT:000000001'
GIR+3+999999999+000000002+UN+1J'
PCI+17'
RFF+AAT:000000001'
GIR+3+999999999+000000003+UN+1J'
PCI+17'
RFF+AAT:000000001'
GIR+3+999999999+000000004+UN+1J'
LIN+++11821013:IN'
PIA+1+115878:SA+001'
QTY+3:990:PCE'
QTY+12:90:PCE'
ALI+DE'
GIN+BX+BATCH1'
RFF+ON:395312:00010'
CPS+3++3'
PAC+1++PALLET2::92'
PCI+17'
GIR+3+999999999+000000005+UN+6J'
CPS+4++1'
PAC+1++BOX::92'
QTY+52:40:PCE'
PCI+17'

RFF+AAT:000000005'
GIR+3+999999999+000000006+UN+1J'
LIN+++11821014:IN'
PIA+1+115877:SA+001:EC'
QTY+3:1000:PCE'
QTY+12:40:PCE'
ALI+DE'
GIN+BX+BATCH2'
RFF+ON:395312:00020'
UNT+44+230'
UNZ+1+183'

Example 7 – Two materials: Each in 4 boxes with auxiliary packaging, on different pallets with auxiliary packaging:

UNB+UNOA:3+SENDER+O0013007096JCIGXS 1449+140412:0800+13SV0660'
UNH+1+DESADV:D:96A:UN'
BGM+351+13SV0660+9'
DTM+137:201404120728:203'
DTM+11:201404120800:203'
DTM+132:201404141111:203'
MEA+AAX+AAD+KGM:1500'
RFF+BM: 13SV0660'
NAD+CZ+369238::92++CONSIGNOR NAME'
NAD+SE+369238::92++SELLER NAME'
NAD+CN+1449::92++ROCKENHAUSEN'
LOC+11+HW10'
CPS+1++3'
PAC+1+:37+AUXPKGPLT::92'
PAC+1++PALLET1::92'
PCI+17'
GIR+3+315927707+000000054+UN+6J'
CPS+2++1'
PAC+4+:37+AUXPKGBOX::92'
PAC+4++BOX::92'
QTY+52:30:PCE'
PCI+17'
RFF+AAT:000000054'
GIR+3+315927707+000000050+UN+1J'
PCI+17'
RFF+AAT:000000054'
GIR+3+315927707+000000051+UN+1J'
PCI+17'
RFF+AAT:000000054'
GIR+3+315927707+000000052+UN+1J'
PCI+17'
RFF+AAT:000000054'
GIR+3+315927707+000000053+UN+1J'
LIN+++82039678-4:IN'
QTY+3:12600:PCE'

QTY+12:120:PCE'
RFF+ON:0055054872:29'
CPS+3++3'
PAC+1+:37+AUXPKGPLT:92'
PAC+1++PALLET2::92'
PCI+17'
GIR+3+315927707+000000059+UN+6J'
CPS+4++1'
PAC+4+:37+AUXPKGBOX::92'
PAC+4++BOX::92'
QTY+52:30:PCE'
PCI+17'
RFF+AAT:000000059'
GIR+3+315927707+000000055+UN+1J'
PCI+17'
RFF+AAT:000000059'
GIR+3+315927707+000000056+UN+1J'
PCI+17'
RFF+AAT:000000059'
GIR+3+315927707+000000057+UN+1J'
PCI+17'
RFF+AAT:000000059'
GIR+3+315927707+000000058+UN+1J'
LIN+++82039678-5:IN'
QTY+12:120:PCE'
RFF+ON:0055054872:30'
UNT+61+1'
UNZ+1+13SV0660'

Example 8 – One material (steel coil), no pallets, with different weight measurements

UNB+UNOA:3+SENDERID+O0013007096JCIGXS 1449+140925:1000+21'
UNH+1+DESADV:D:96A:UN'
BGM+351+084845+9'
DTM+137:201409251000:203'
DTM+11:201409250000:203'
DTM+132:201409260000:203'
MEA+AAX+AAD+KGM:0'
NAD+CN+1449::92++ ROCKENHAUSEN'
LOC+11+HR.KOERPER'
NAD+CZ+320037::92++CONSIGNOR NAME'
NAD+SE+320037::92++SELLER NAME'
EQD+TE+LM-MK 508'
CPS+1++4'
PAC+1++EXP11111111111133::92'
QTY+52:834:KGM'
PCI+17'
GIR+3+315758342+000005909+UN+1J'
LIN+++3085006:IN'
PIA+1+37437:SA+000:EC+E65944:AP'
QTY+12:834:KGM'
ALI+EG'
GIN+BX+37437/012'
RFF+ON:55059488:00027'
CPS+2++4
PAC+1++EXP11111111111133::92'
QTY+52:838:KGM'
PCI+17'
GIR+3+315758342+000005910+UN+1J'
LIN+++3085006:IN'
PIA+1+37437:SA+000:EC+E65944:AP'
QTY+12:838:KGM'
ALI+EG'
GIN+BX+37437/012'
RFF+ON:55059488:00027'
UNT+34+1'
UNZ+1+21'

Example 9 – Multiple materials in one box, no hierarchical packaging structure:

UNB+UNOA:3+SENDER+O0013007096JCIGXS 0113+150205:1300+183'
UNH+230+DESADV:D:96A:UN'
BGM+351+12345678'
DTM+137:201502051300:203'
DTM+11:201502051257:203'
DTM+132:201502061400:203'
MEA+AAX+AAD+KGM:100'
NAD+CN+0113::92++ZWICKAU'
LOC+11+HW10'
NAD+CZ+357407::92++CONSIGNOR NAME'
NAD+SE+357407::92++SELLER NAME'
EQD+TE+6641 WX 37'
CPS+1++4'
PAC+1++BOX::92'
QTY+52:200:PCE'
PCI+17'
GIR+3+999999999+012345678+UN+1J'
LIN+++3G9 885 502 F B09:IN'
QTY+3:400:PCE'
QTY+12:50:PCE'
ALI+DE'
GIN+BX+BATCH1'
RFF+ON:55058249:00020'
LIN+++3G9 885 502 G B09:IN'
QTY+3:400:PCE'
QTY+12:50:PCE'
ALI+DE'
GIN+BX+BATCH1'
RFF+ON:55058249:00030'
LIN+++3G9 885 502 D CA9:IN'
QTY+3:400:PCE'
QTY+12:50:PCE'
ALI+DE'
GIN+BX+BATCH1'
RFF+ON:55058249:00040'
LIN+++3G9 885 502 E CA9:IN'
QTY+3:400:PCE'
QTY+12:50:PCE'
ALI+DE'
GIN+BX+BATCH1'
RFF+ON:55058249:00050'
UNT+41+230'
UNZ+1+183'